



OWNER'S MANUAL
SAVE-T COVER II®
Diamond Edition®
Automatic Pool Cover

Cover-Pools, Inc.
66 East 3335 South
Salt Lake City, UT
800-447-2838 Fax 801-484-2763
www.coverpools.com
E-mail: sales@coverpools.com

Please Read and Follow All Instructions!

IMPORTANT SAFETY INSTRUCTIONS

READ AND FOLLOW ALL INSTRUCTIONS

SAVE THESE INSTRUCTIONS

WARNING: When installing and using this electrical equipment, basic safety precautions should always be followed, including the following.

1. To reduce the risk of injury, do not permit children to operate this product.
2. Remove and safely store the key when the cover is not in use.
3. Turn off electrical breaker when the cover will not be used for extended periods of time or as an added layer of protection against unauthorized operation. Always turn off breaker before servicing the cover.

INSTALLATION SAFETY CHECKLIST

For your benefit, please double check the following items with your installer/representative to aid in your understanding of the use of your cover.

	YES	NO
1. Has a representative from the company who installed your SAVE-T COVER II [®] cover explained to you the proper operation of the system?	_____	_____
a. Roll-up adjustment	_____	_____
b. Chemical application as it affects the cover	_____	_____
c. Authorized operation	_____	_____
d. Latching the cover after it is closed	_____	_____
e. Proper maintenance	_____	_____
f. Placing the cover pump in position when the cover is closed.	_____	_____
2. Were you notified of the importance of removing all standing water off your cover for safety and operation?	_____	_____
3. Were you notified of the importance of latching your cover every time the cover is closed?	_____	_____
4. Did a representative offer you assistance on how to maintain a safer pool area?	_____	_____
5. Did you receive drowning prevention information?	_____	_____

Please take the time with your SAVE-T COVER II[®] representative to go over this list to be sure that you understand the importance of the proper use of your pool cover.

CONTENTS

Installation Safety Checklist	1
Operating Instructions	3
Auto Shutoff Operation	3
Water on Top of Cover, Pump Placement	4
Diagrams for Adjustments and Parts	5
Adjustments and Minor Repair	6
Facts on Fabric	7
Chemicals and Your Cover	8
Lubrication	9
Inspection Procedure for Wear and Deterioration	9
Emergency Procedures	10
Winterizing your Pool Cover	10
Pool Safety	11



AVOID DROWNING RISKS

- REMOVE STANDING WATER - CHILD CAN DROWN ON TOP OF COVER.
 - REMOVE COVER(S) COMPLETELY BEFORE ENTRY OF BATHERS, ENTRAPMENT POSSIBLE.
 - NON-SECURED OR IMPROPERLY SECURED COVERS ARE A HAZARD.
 - DO NOT WALK ON COVER EXCEPT IN AN EMERGENCY.
 - FAILURE TO FOLLOW ALL INSTRUCTIONS MAY RESULT IN INJURY OR DROWNING.
- SAVE-T COVER II® MEETS ASTM F 1346-91 CLASS PCS WHEN USED AS INSTRUCTED.

PROTECT YOUR INVESTMENT

GENERAL: Your automatic cover has been made to be easy to use on a regular basis for many years with little service. Since the automatic cover is easy to use, some people allow almost anyone to operate it. However, our experience shows that the amount of service required grows with the number of non-instructed people who operate the cover. **PLEASE DO NOT ALLOW ANYONE TO OPERATE THE MECHANISM UNLESS PROPERLY INSTRUCTED. NEVER ALLOW CHILDREN TO OPERATE THE COVER.**

WARNING: Walking on the cover should be for emergency purposes only. Playing or walking on the cover is discouraged in the strongest terms. Damage can be done to the fabric and sharp objects may cause tears, decreasing the life and strength of the fabric. Before operating the cover remove all objects from the pool and cover, including toys, pool cleaners, cover pumps and hoses. Be sure you have full view of the pool area when operating the cover. Do not leave a pool partially covered.

OPERATING INSTRUCTIONS

COVERING THE POOL: Remove any objects from the pool. Turn the key or push touch-pad in the "cover" position until the cover is closed. For undertrack systems: Release the key or touch-pad as soon as the cover contacts the pool end. On universal track systems, run the cover up to within two-to-three inches of the end of the track. A convenient way to judge this is to place a stop mark on the cover, which will align with a stop mark placed on the tracks.

WARNING! KOSA, remove the key after closing. Touch Pad, turn key to off and remove the key after closing! Store key in a secure location to prevent unauthorized operation of the cover.

NEXT: Always latch the leading edge. Basically any accommodation for latching will be done on your leading edge bar on the front of your cover. Our concern is that under some circumstances a young child may be able to force their way under the cover by pulling or pushing on the leading edge. Another possible situation is when weight is applied to the cover, this may force the leading edge open enough to allow a child to slip through the opening. Weight on the cover can occur from a water, snow loader or another child standing on the cover. Make sure your cover is closed completely as described in this manual then fasten all latches immediately. Put the cover pump on the cover at this time.

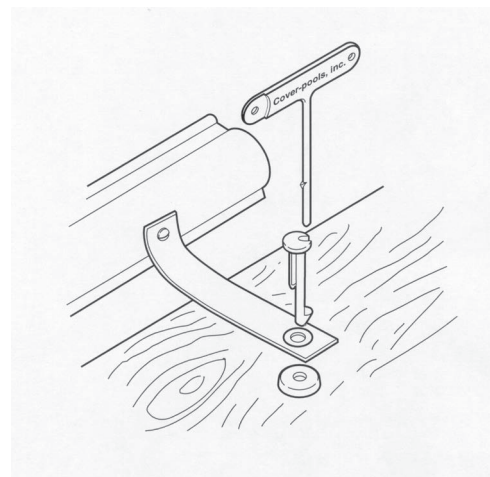
OPENING THE POOL: Unlatch the leading edge. Remove the cover pump and any debris that may damage the cover. Insert the key, turn the key or push touch-pad in the "uncover" position until the cover is open completely! Do not try to retract the pool cover too closely to the end of the tracks. The leading edge in undertrack models should rest half way across the pool end wall. On universal track models, the leading edge should stop before the mechanism housing.

AUTO SHUT OFF CONTROL: If your cover has been installed with an optional Auto Shut Off control the opening and closing operation will be the same as described. The exception is, your cover will shut off automatically when it has reached the fully opened or closed position. This feature prevents overrunning the cover in either direction, avoiding possible damage. Make sure that your cover is opening and closing evenly, so your Auto Shut Off will be able to operate properly. While operating the cover you may stop and reverse direction at any point between the fully opened or fully closed position. Once the cover has shut off automatically in one direction you will only be able to run it in the opposite direction.

NOTE: If there has been a power interruption to your control, the system will not operate until power has been restored. Once power is restored it is possible to overrun the cover if the control is operated in the wrong direction. Once the cover has been run in the correct direction for just a few feet the shut off sequence is restored and it will not be possible to overrun the cover.

LATCHING PROCEDURE 1. Close cover to designated point. 2. Put pin through the grommet in the strap. 3. Press the pin into the housing in the deck until it clicks into place.

TO REMOVE PIN 1. Put the key in the top of the pin. Line up the pin slot with the key spur. (The spur should point away from the center of the pin.) 2. Push the key down until it stops. 3. Turn the key 90 degrees. 4. Pull up on the key to remove the pin from the housing.



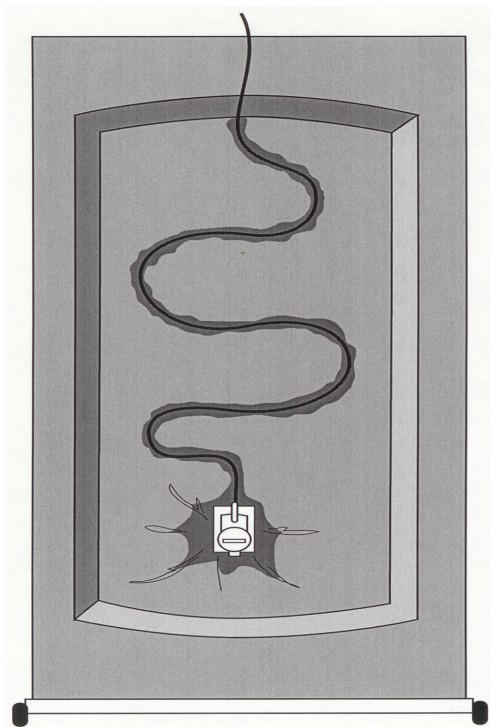
WATER ON TOP OF THE COVER

Standing water on top of your cover poses as great a hazard as an open pool. You have been provided with a submersible pump that has an automatic on/off switch, designed to reduce this hazard. The pump should be placed on the cover anytime your pool is covered. Be aware that water accumulation on top of the cover can come from holes or leaks in your cover or from overspray and misdirected sprinklers while watering. Not just rain or snow! Obviously a cover that is entirely covered by water is a hazard. What some people fail to realize is that isolated puddles may tend to migrate toward a depression.

WARNING! A young child can create a depression great enough to collect a dangerous amount of water.

Never attempt to run the cover with water on it! Damage can occur to the fabric and/or mechanism! After your pump has stopped and most of the water has been removed, the pump itself should create enough of a depression to allow continual consolidation of water. This consolidation can be enhanced by snaking a long discharge hose over as much of your cover as possible to create a natural channel for water to flow back to your pump (see diagram). As water is channeled back to your pump it will be removed. Due to different shapes and construction styles of pools, the occurrence of isolated puddles of water will be unique to your cover. After you become familiar with where the puddles usually occur you should be able to position your discharge hose so you can remove nearly all the water on your cover. If you plan on being away from your pool for a long period of time, you should find a neighbor or friend to check your cover frequently to make sure all standing water has been removed. Your pump can be left on the cover all winter. The pump will freeze into the ice without damage. As the ice melts during the winter your pump will activate itself. Make sure you keep power on to the pump and that the discharge hose is free of kinks.

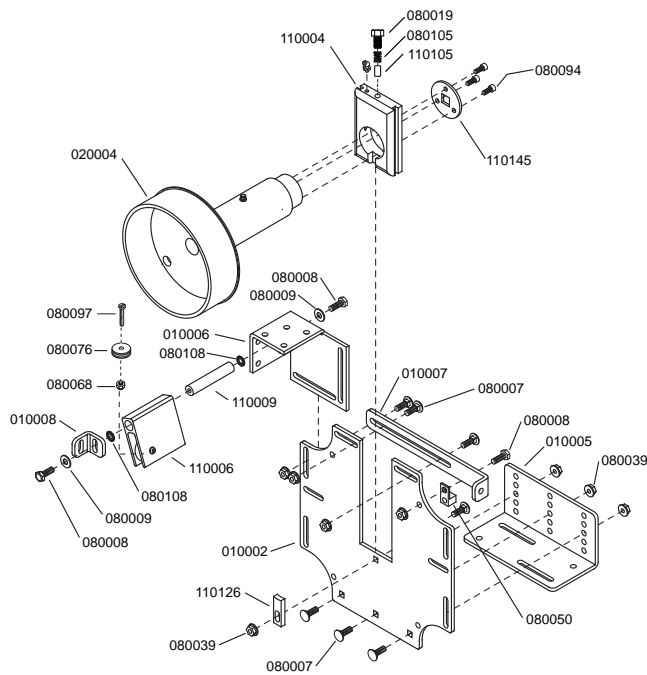
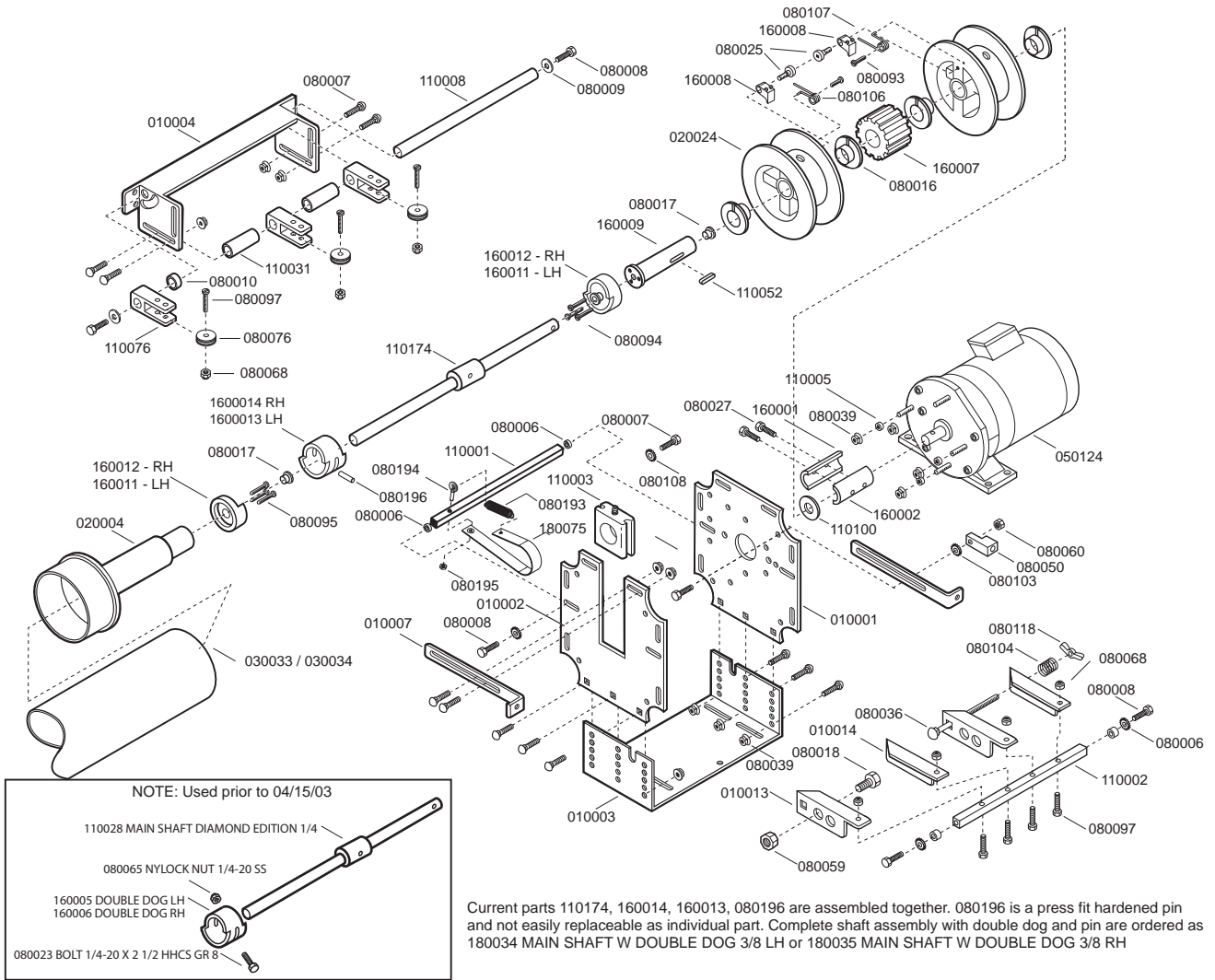
PUMP PLACEMENT ON POOL COVER



NOTE: Cover Pools supplies a variety of pumps depending on the size of your cover and region you live in. Follow the instructions that have been supplied with your pump carefully.

WARNING! Your pump is an electric appliance and caution should be used when handling your pump and electric cord around water. Avoid using extension cords. If your pump or cord becomes damaged, replace the pump immediately! Plug the pump into a G.F.C.I. protected outlet only. Place the pump on the cover first then plug in the pump second. **DO NOT** stand on a wet surface while using the pump. Avoid contacting accumulated surface water on your cover when the pump is on the cover. Electric shock is possible. Your pump should not be used for any other application other than specified in these instructions. Your pump has been provided with a stabilizer plate so it remains upright. **DO NOT** allow the pump to tip over. The automatic on/off feature will not work, creating a drowning risk. Keep pump clean and in a well maintained condition at all times.

ADJUSTMENTS AND MINOR REPAIR



ADJUSTMENTS AND MINOR REPAIR

SERVICE: Some service, such as adjusting roll up and patching holes, is so easy you will want to do it yourself. Other service is much more complex than it first appears, and we would ordinarily recommend that an owner leave repairs to your local authorized serviceman or organization. We advise you to communicate by phone (800-447-2838) with the manufacturer for advice before you undertake any serious service project on your own.

WARNING! Always turn off the power/circuit breaker to the cover before servicing.

WARNING! Never adjust the cover or try to perform any other maintenance while the cover is running.

WARNING! Keep hands, clothing, etc. away from mechanism while operating.

COVER RETRACTS UNEVENLY: Once your cover is installed it is unlikely that it will require any adjustment. However, it is possible for extreme changes in the cover condition to cause the cover to begin to run unevenly. Our exclusive brake adjustment makes it quite simple for you to do the adjusting yourself, avoiding a service call. You should always determine which adjustment to make by observing the evenness of the cover as it is coming off the pool. Adjusting the cover is accomplished by tightening or loosening the wing nut on the brake mechanism (see illustration). Make sure the cover is stopped and the key or power is in the "off" position. Adjust the cover by tightening the wing nut (clockwise) on the side that consistently comes back first. Add only a little brake at a time to avoid applying too much tension. When possible, take the brake off the side coming back slowest by loosening the wing nut on that side. However, a little brake must be left on both sides at all times to prevent the rope from becoming tangled because of backlash. **NOTE:** Some covers systems are supplied with this adjustment feature disabled. If you use the procedure above and cannot get the cover adjustment to change, call your local service company for assistance.

PATENTED SELF-ADJUSTMENT FEATURE: (Check with your dealer prior to using the self-adjustment to be sure that this feature is installed.) Your cover may be installed with a self-adjusting feature that, in most cases, will eliminate the need for brake adjustment to your cover. In addition, this feature prevents your cover from retracting past the end of the track. To use this feature: If your cover is opening unevenly, retract the cover until the front leading edge bar is approximately one foot from the pool cover housing. Stop the cover by releasing the key or touch pad. Once the cover has stopped, run the cover in the "uncover" position again until the cover straightens. As soon as the cover is straight, release the key or touch pad immediately.

WATER LEVEL: The ability of your cover to support any weight is completely dependent upon you maintaining the pool water at normal operating level. In many cases, the cover will not even support itself if run over a low or empty pool. Severe damage to the cover may occur and a great hazard may develop if your water level is not maintained properly (see winterizing instructions).

PATCHING THE VINYL COVER: Holes in the cover should be patched as soon as they appear. You have been supplied with a tube of vinyl glue and patch material. Small pin size holes can be patched by applying a dab of glue directly in the hole. Large cuts or tears can be patched by cutting out a patch piece of material, then apply glue to one side of the entire patch and glue in the same pattern as the patch to the cover. Let the glue set up slightly before applying patch. If possible patch both sides of the hole.

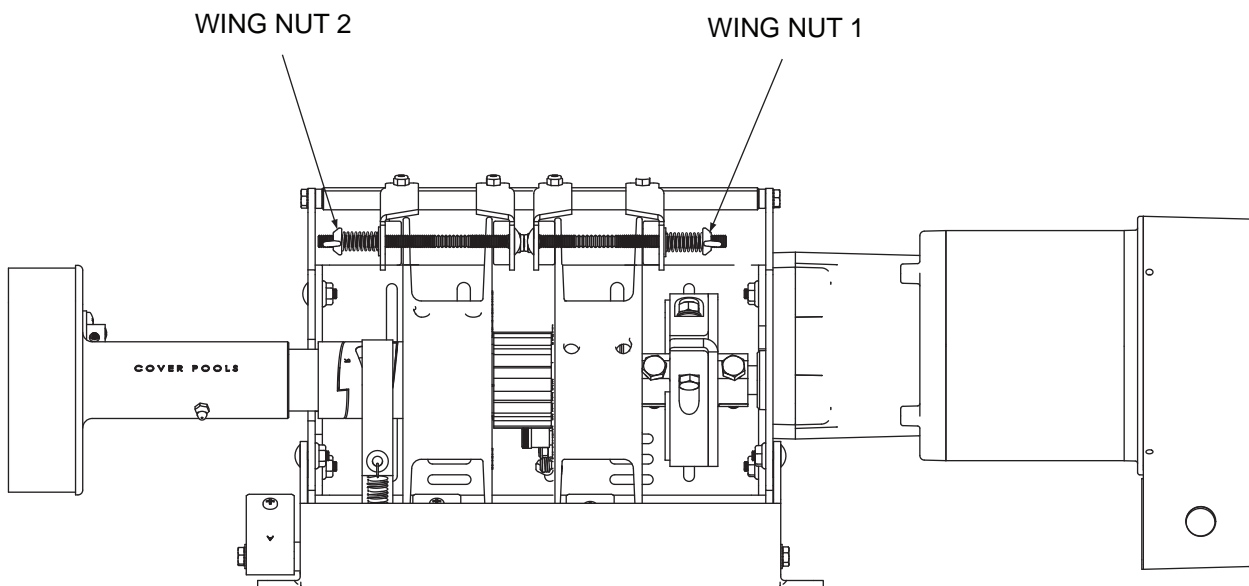
REPLACING A PULLEY: A worn out pulley can cause cover adjustment problems and eventually lead to a broken rope if not replaced. If a pulley in the end of the track causes a noticeable clicking or grinding sound, it is missing ball bearings, or is frozen in position. You should contact your local dealer for replacement as soon as possible.

MOTOR: The motor we provide is "water proof." We have applied a special coating to the motor to resist water infiltration. This does not mean that the motor is submersible. If submerged in water the motor may be damaged and create an electrical failure. Your cover housing should have an adequate means of drainage for below deck installations. Make sure any drain provided remains clear. Your motor has an internal thermal overload switch. If the motor overheats to the point where the switch activates, it will reset automatically when cool.

TRACK CLEANING: The track your cover runs in will collect dirt and debris over a period of time. The build up of dirt and debris can affect the operation and adjustment of your cover. If the channels in your cover track are not cleaned when necessary, you will prematurely wear out the edging on your cover and the protective anodized coating on your track. To clean the track, you should retract the cover, then squirt water under pressure into the track. The water will flush out debris if squirted the full length of the track at close range. In most situations your track should be cleaned twice a season. For pools that are used year round, or if you are in an area that is sandy or windy, cleaning should be more often. (If you have a salt or mineral sanitizing system see the "mechanism cleaning section.") Never use anything but water to clean the tracks or other extrusions.

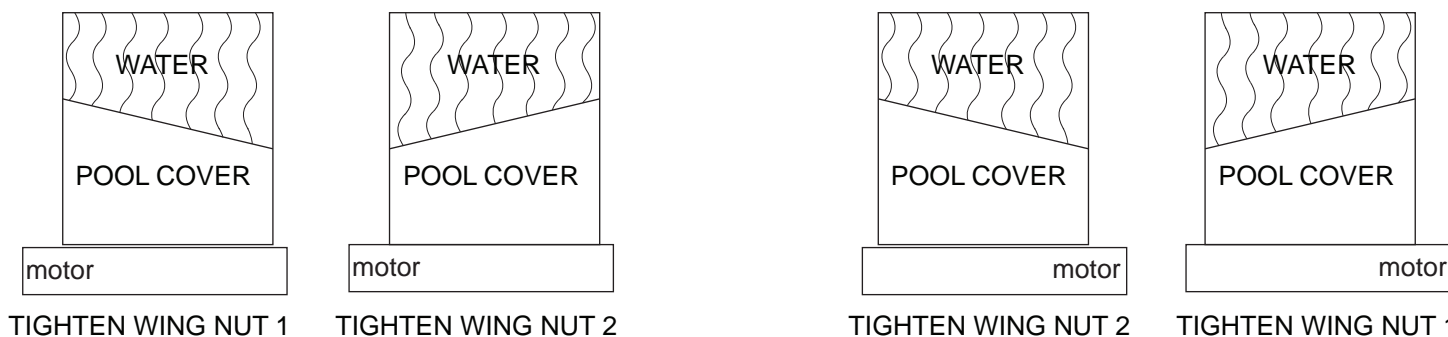
MECHANISM CLEANING: Over time dried chemicals and dirt can build up on your mechanism. If these components are not rinsed off the build up can become so excessive that damage can occur. If you have a salt chlorination or mineral type sanitizing system you will need to check your mechanism several times during the season. We recommend rinsing the components as soon as you see a noticeable residue. It is recommended the metal components of your pool cover be rinsed off with fresh water only. The frequency will vary with the usage of the pool cover. When in doubt, it is better to rinse too frequently, than not frequent enough. When rinsing the mechanism, turn off all electricity to the cover. Make sure you have adequate drainage in your cover housing and avoid spraying water directly on the motor.

NOTE: Improper chemical balance can rapidly affect your system as well as the cover fabric. Check your water regularly to be sure it is balanced properly. Please review the rest of this manual for proper water balance recommendations.



MOTOR LOCATION ON LEFT

MOTOR LOCATION ON RIGHT



CHEMICALS AND YOUR COVER

The primary thing to remember regarding chemicals and your new cover is that you will almost certainly have to change the quantity and/or frequency that you add chemicals to the water. Where it was previously necessary to chlorinate your pool at a constant rate because chemicals dissipated at a constant rate, with proper use, the cover will substantially diminish the loss of chemicals. It now becomes impractical and perhaps even detrimental to follow your previous chemical program.

You must avoid a build-up in the quantity of chemicals in the pool water that can result in serious damage to pool walls and equipment. Such a build-up may also create an improper water balance which may cause deterioration of the vinyl cover. A deterioration so caused is not covered by the warranty. After adding any chemicals to your pool, allow the chemicals to circulate before closing the cover. If you are unsure if it is safe to close the cover, test the water at the surface with your test kit. *IF IT IS SAFE TO SWIM IN, IT IS SAFE TO COVER!

In our testing we have found that high alkalinity or high chlorine levels can begin to breakdown the cover prematurely. Some pH adjusters may create harmful levels of alkalinity (high pH) if not allowed to mix with the water before the cover is closed. The same is true with chlorine shocks. Some chlorine shocks require as long as 12-24 hours to return to swimmable range. Since safety is the major reason most people purchased their cover, we recommend the use of a non-chlorine shock. With this type of shock the cover may be closed in 30 minutes or less. Please check with your pool service company for proper usage.

Making sure your water is balanced should be on top of the checklist before covering the pool for extended periods of time, such as winterizing. Double check the water after the chemicals have had a chance to mix completely. This may require checking the pool water a day or two later. When covering the pool for long periods of time turn down ozone generators and chemical feeders to their lowest level. Constant long term build up of ozone can damage the fabric.

Next patch even the smallest holes with the repair kit provided as soon as they occur. If water penetrates the vinyl and comes in contact with the scrim (the thread reinforcing), the thread will soak up water carrying chemicals and contaminates to the inside of the material. This will lead to stiffening and or delamination of the vinyl. Patching should be done on both sides of the hole in the cover if possible.

Please make sure your pool service company or anyone in charge of pool maintenance, is aware of this information.

WARNING! Never leave an open pool unattended. Notify anyone you allow to operate your cover of the same!

FACTS ON FABRICS

We know that quite often our customers have shown a concern about the extra slack in the pool cover. There are several factors that we use in determining slack. The width of the pool, water level drop and the geographical area can all affect the amount of slack we use. The reasons we have slack in our pool covers are as follows:

1. The pool cover has extra slack to handle rain and snow loads. Without it the pool cover and, in some cases, the pool could sustain substantial damage from excessive weight.
2. The pool cover fabric will shrink! Sometimes it will shrink as much as one percent. This seems nominal, however, it can amount to as much as three to four inches on a 20' wide pool cover.
3. Indoor pools are commonly heated year-round. They may shrink more than an outdoor pool cover.

Over our many years of experience we have had several examples of cover material that has been well maintained lasting beyond our expectations. The key to longevity in all cases has been proper pool water balance as well as regular care and cleaning of the cover. Care of the cover is as simple as removing any sharp objects before opening the cover. Removing leaves, insects, dirty water, etc. before they have a chance to affect the vinyl by leaving a residue. When the cover does become soiled from dirt, organic matter, undissolved solids from chemicals, etc... the cover should be rinsed off with fresh water. Indoor covers may seldom appear dirty. The fact is, however, harmful chemical deposits can build up on top of the fabric, and if not rinsed off regularly can cause premature fabric failure! For stubborn stains try using a soft bristle brush and scrub the cover with fresh clean water. For oils like suntan lotion, leaf stains or anything that cannot be removed by just scrubbing, try using a small amount of non-detergent cleanser. Never use detergents on the vinyl!

(One of the most available non-detergent cleaners is Ivory® bar soap. (Not dish washing liquid!) Use the bar soap on a wet cloth and scrub the soiled area. Next, rinse well with fresh water.)

LUBRICATION

LUBRICATION: The working life of the mechanism will be enhanced and service problems reduced if a regular lubrication schedule is followed. Never over grease - excessive lubrication will collect dirt and can possibly get on the vinyl cover or webbing. Grease on the vinyl or webbing can cause deterioration. Do not grease or silicone the rope, webbing or tracks, this will cause rapid deterioration of the threads, fabric and track.

PARTS LUBRICATION REQUIREMENTS:

Part	Lubrication	Frequency
Main Bearing #110003	Lubriplate® #1200-2	Once per season
Opposite End Bearing #110004	Lubriplate® #1200-2	Once per season
End castings #020004	Lubriplate® #1200-2	Once per season (motor and opposite end)
Rope Reels #020024	Lubriplate # 1200-2	Once per season
Motor Gear Box (Electric non-sealed motors only. Sealed motors do not require lubrication. Lubriplate® grease is available from Cover-Pools in cartridges.)	Lubriplate® #1200-2	Once per season
Double dog #160005/160006	Motor oil 30w or similar	Twice per season
Ratchet pawl #160008	Motor oil 30w or similar	Once per season
Hydraulic Tank fluid	Type "F" or "Dextron" Automatic transmission fluid	Check level twice per season
Key Switch tumbler	Silicon spray	Twice per year

HYDRAULIC DRIVE: Hydraulic tank, motor, and lines should be drained, flushed and refilled once per year.

CAUTION: Completely clean the old lubricant from parts. Under no circumstances should different types of lubricants be mixed.

INSPECTION PROCEDURE FOR WEAR AND DETERIORATION

You should give the components of your automatic cover a thorough inspection at least two to three times a year.

1 - VINYL COVER: The vinyl cover material is constructed with a tough combination of vinyl and a polyester mesh. Over the years, depending on your cover's exposure to chemicals, heat and sun, the vinyl will become brittle and eventually begin to crack. When this occurs the polyester mesh will be exposed and begin to change the capability of your cover to hold weight. Inspection for this kind of deterioration should begin with an examination for leaks. If you have leaks, patch the hole immediately. Check the area around the hole to see if it has become brittle or stiffer than the rest of the cover. Any change in the feel of the vinyl where it begins to seem brittle or stiff can indicate a problem. If the normal square pattern you see in your cover from the polyester mesh changes so that the mesh pattern appears to be more pronounced than the other parts of the cover, it could be an indication of the vinyl becoming weak. In areas where your cover is pulled over your deck or coping it is possible to gradually wear the vinyl away from the reinforcing mesh. Once the mesh is exposed it can begin to deteriorate or break. Have the cover repaired immediately if you notice this problem.

Last, you should inspect the sewing where the vinyl is attached to the webbing (edging) along the side of your cover by your tracks. If any threads are broken or if the webbing has begun to tear or fray, the strength of your cover will be compromised.

2 - COVER TRACK: Since your track is the main means of anchoring your cover to your pool, inspection of the fasteners used to hold your track to the pool sides is as important as inspecting the cover. Make sure that all screws are tight and replaced if missing. The channel or opening that your webbing slides in can wear over the years. Check for blackening around the opening. This indicates wear of the anodizing (protective coating) on your track which means the dimension of the channel could be getting larger. Once it becomes large enough, any weight placed on the cover can pull the cover out of the track. If you feel there is marked difference in any of the items we have asked you to inspect, please contact your pool cover serviceman immediately for a detailed inspection.

EMERGENCY PROCEDURES

TO COVER THE POOL MANUALLY FOR ANY REASON: This requires two people. Remove the bolt from the coupler (#080027) and pull a few feet of rope from the rope reels. Pull ropes equally on either side until the cover is in place. It may be necessary to remove the recess lid to accomplish this, and to unroll the fabric a little manually before pulling it into the track.

TO UNCOVER THE POOL MANUALLY: This also requires two people and the recess lid must be removed first. Remove the bolt from the coupler (#080027). Slide the cover through the track toward the roller for a few feet on both sides. Then roll it up by turning the roller by hand. Repeat this procedure until the cover is totally retracted keeping the roll as compact as possible. To reduce any possible drag loosen both brakes completely. Beginning January 2001 Cover-Pool has provided a square holed "Lochren" washer, on the opposite end of the mechanism. (The Lochren washer (#110145) is just outside of the white plastic bearing.) The Lochren washer is sized to accept a standard ½" drive, ratchet socket wrench. Follow the procedure above to remove the shifting bolt and loosen the brakes. Insert wrench into the washer and use the wrench to reverse the main tube. This will uncover the pool.

WARNING! It is physically easier to remove the cover using the ratchet wrench than it will be to close the cover. Closing the cover manually requires two strong people! If you are using your cover as a safety barrier, make sure you will be able to close the cover if needed, before you open the cover!

WINTERIZING YOUR COVER

It is obvious that there is a limit to how much water, snow, and ice a pool cover can support. A cover owner must be aware that each gallon of water on the cover weighs eight (8) pounds and that a few inches of rain can quickly result in a ton of water that could cause damage to the cover if it is not supported by water underneath. Make at least monthly inspections of the water level. The biggest reason that covers end up "in the drink" is that the owner looks at the water level during the winter and concludes that it is about where it was during the summer. What you may fail to realize is that while the total level is the same, there is much more water on the cover and frequently a lot less underneath to support it.

Once the water on your cover has become frozen, it is obviously going to become very difficult, if not impossible, to remove. But you can and should add water under the cover to help the situation. Your cover will survive any normal winter if these precautions are taken.

It is important to keep all water pumped off your cover as freezing weather approaches so that you can go through the winter with as little weight as possible on the cover. Your pump can be left on the cover through freezing weather. Follow instructions as described in the section "WATER ON TOP OF THE COVER."

All pools can be built and plumbed in such a manner that the pool can be left full during the entire winter. Any pool not so built or plumbed can be winterized by draining the pool down below the piping, plugging the pipes with expansive rubber plugs and refilling the pool. If it is not possible to keep your pool full during the winter then the cover should be left off the pool and other safety precautions should be taken.

DRAINAGE: Any drain in the housing should be kept free of debris to allow water to drain freely. The aluminum lid covering the housing should always be kept in place to avoid the hazard of someone stepping into the housing area, and to prevent rain from directly entering the housing.

POOL SAFETY

Thank you very much for your purchase of our product. Although we make every effort to provide you with the safest product available, we want to stress the following:

Cover Pools recommends “Layers” of protection of which our cover is one. You should not rely on any one layer to be fail proof.

A swimming pool can provide your family with hours of entertainment and the opportunity for healthy recreation. As a pool owner, be aware that you must ensure your child’s safety. There is a risk of a child drowning when around any body of water.

There is no substitute for constant adult supervision. Most drowning occurs during a five-minute-or-less lapse in supervision. By providing barriers between your child and the pool, you can avoid a tragic accident should your child momentarily slip out of sight.

Don’t rely on one system—layering safety precautions provides the strongest safeguard.

Never leave a child alone—even for a second.

Maintain constant eye contact with your children when they are around the pool.

Do not consider young children water-safe because they have had swimming lessons. Swimming instructions for children under three years of age are not recommended.

Instruct baby-sitters about potential hazards to young children in and around swimming pools and the need for constant supervision.

Train all caretakers in life-saving, cardiopulmonary resuscitation and first aid. No exceptions.

Install a telephone pool side with emergency numbers posted.

Keep toys away from the pool when the pool is not in use. They can lure a child into the pool.

Use inflatable toys only under adult supervision. They may deflate or your child may slip off.

Post and enforce rules such as No Running, No Pushing, No Dunking, and Never Swim Alone.

Make sure you have rescue devices accessible pool side.

Keep all doors and windows leading from the house to the pool area secure. Install self-closing mechanisms on doors.

Enclose the pool with a barrier. In fact, fencing may be required in certain area. Check your local city or county building code for more information.

Install only child-proof, self-closing, self-latching gates around the pool.

Vertical bars on a pool fence should be no more than three-and-three-fourths inches apart. Avoid fences such as chain link that provide footholds for little climbers’ feet.

Place table and chairs well away from the pool fence to prevent children from climbing into the pool area.

Alert your pool maintenance people, utility personnel, and your neighbors to keep covers, gates, doors to pool closed and locked at all times.

Check to ensure that spa and pool covers pass minimum safety requirements set by the American Society of Testing Materials.

Never use a pool with its cover partially in place since children may become trapped under it.

Beware of a free-floating pool cover. A child can slip beneath one unnoticed.

Realize that a child can drown in as little as two inches of water. Drain standing water off of your spa or pool cover.

Investigate using a pool alarm and/or a monitoring system that can be worn by a child.

Remove ladders and steps from above ground pools. No objects should be in the pool area for a child to climb on and into the water.

Inspect safety and pool equipment regularly. Preventive devices are only effective if they are in working order.

Sources: Drowning Prevention Society; United States Consumer Product Safety Commission; National Spa and Pool Institute’s Operation Water Watch; and the American Academy of Pediatrics.

FEDERAL AGENCY AND NATIONAL COMPLIANCE LISTINGS

Cover Pools Inc. is committed to producing the safest and highest quality pool and spa Covers in the world. We are your partners in providing an additional layer of safety you can count on.

UNDERWRITERS LABORATORIES INC. LISTING

Cover Pools, Underwriters Laboratories Inc. listing number is 181T

WBAH Covers for Swimming Pools and Spas

Power Safety Cover, Model Save-T Cover II, Classified in Accordance with ASTM F1346-91

WDDJ Swimming Pool and Spa Cover Operators Electric

Pool cover operator, Model "Save-T Cover II

ASTM, (American Society for testing and Materials)

Designation: F 1346-91 (PSC, MSC, OC)

Cover Pools Inc. products Save -T Cover II Diamond Edition, and Step Saver have been manufactured and are in full compliance with ASTM F 1346-91 Standard Performance Specification for Safety Covers and Labeling Requirements for All Covers for Swimming Pools, Spas and Hot Tubs.

FCC ID: P8G-50134 SAVE-T COVER II WIRELESS CONTROL.

Note: This equipment has been tested and found to comply with the limits for a Class B digital device, pursuant to Part 15 of the FCC Rules. These limits are designed to provide reasonable protection against harmful interference in a residential installation. This equipment generates, uses and can radiate radio frequency energy and, if not installed and used in accordance with the instructions, may cause harmful interference to radio communications. However, there is no guarantee that interference will not occur in a particular installation. If this equipment does cause harmful interference to radio or television reception, which can be determined by turning the equipment off and on, the user is encouraged to try to correct the interference by one or more of the following measures:

- Reorient or relocate the receiving antenna.
- Increase the separation between the equipment and receiver.
- Connect the equipment into an outlet on a circuit different from that to which the receiver is connected.
- Consult the dealer or an experienced radio/TV technician for help.

CE EMC: Issue Date: May 6, 2002. Immunity ETS EN 300 683 Standards Referenced (Normative) Changes or modifications to SAVE-T COVER II WIRELESS CONTROL # 50144 not expressly approved in writing by Cover Pools Incorporated could void the user's authority to operate this product.

Note: This equipment has been tested and found to comply with the limits for a Class 1, Class 2, and Class 3 Radio equipment and systems under Title: ETS EN 300 683 : 97 and ETS EN 300 200-1 (RES) (EMC) (SRD) operating on frequencies between 9 kHz and 25 GHz. These limits are designed to provide reasonable protection against harmful interference in a residential installation. This equipment generates, uses and can radiate radio frequency energy and, if not installed and used in accordance with the instructions, may cause harmful interference to radio communications. However, there is no guarantee that interference will not occur in a particular installation. If this equipment does cause harmful interference to radio or television reception, which can be determined by turning the equipment off and on, the user is encouraged to try to correct the interference by one or more of the following measures:

Reorient or relocate the receiving antenna.

Increase the separation between the equipment and receiver.

Connect the equipment into an outlet on a circuit different from that to which the receiver is connected.

Industry Canada, IC:4346A-COVERII

The Term "IC:" before the certification/registration number only signifies that the Industry Canada technical specifications were met.

If you have any additional questions please contact us at 1-800-447-2838.