



Step-Saver®

Manual Pool Cover Owner's Manual

Please read and follow all instructions.

Cover-Pools Incorporated
66 East 3335 South
Salt Lake City, UT 84115

800.447.2838
www.coverpools.com

CONTENTS

3. **Installation Safety Checklist**
4. **Operating Instructions**
5. **Power Wheel Operation, Latching Instructions**
6. **Latching the Cover**
7. **Water on top of Cover, Pump Placement**
8. **Adjustment and Minor Repairs**
9. **Inspection Procedure, Winterizing your Cover**
10. **Facts on Fabrics**
11. **Chemicals and your Cover**
12. **Pool Safety**

INSTALLATION SAFETY CHECKLIST

For your benefit, please double check the following items with your installer/representative to aid in your understanding of the use of your cover.

	YES	NO
1. Has a representative from the company who installed your STEP-SAVER® cover explained to you the proper operation of the system?	_____	_____
A. Chemical application as it affects the cover	_____	_____
B. Authorized operation	_____	_____
C. Latching the cover after it is closed	_____	_____
D. Proper maintenance	_____	_____
E. Placing the cover pump in position when the cover is closed	_____	_____
2. Were you notified of the importance of removing all standing water off your cover for safety and operation?	_____	_____
3. Were you notified of the importance of latching your cover every time the cover is closed?	_____	_____
4. Did a representative offer you assistance on how to maintain a safer pool area?	_____	_____
5. Did you receive drowning prevention information?	_____	_____

Please take the time with your STEP-SAVER representative to go over this list to be sure that you understand the importance of the proper use of your pool cover.



WARNING



AVOID DROWNING RISKS

- REMOVE STANDING WATER - CHILDREN CAN DROWN ON TOP OF THE COVER
- REMOVE THE COVER (S) COMPLETELY BEFORE ENTRY OF BATHERS; ENTRAPMENT IS POSSIBLE.
- NON-SECURED OR IMPROPERLY SECURED COVERS ARE A HAZARD.
- DO NOT WALK ON THE COVER EXCEPT IN AN EMERGENCY.
- FAILURE TO FOLLOW ALL INSTRUCTIONS MAY RESULT IN INJURY OR DROWNING.

THE STEP-SAVER® COVER MEETS ASTM F 1346-91 CLASS MSC WHEN USED AS INSTRUCTED.

OPERATING INSTRUCTIONS

COVERING THE POOL: Your STEP-SAVER has been designed for one or two person operation. On most pools you will be able to use the center pull rope provided. Clip the rope to the center of the leading edge yoke. Stand at the far end of the pool and begin pulling the cover towards you. If the front of the cover becomes uneven, the cover will be more difficult to pull and you will possibly damage the cover. You will want to stop and pull the side of the cover that is behind so that it is even with the other side. For two person operation, do not clip the ropes to the center of the leading edge yoke. Instead, simply use the ropes on each side of the cover, and with one person on each side, walk together at the same speed pulling the leading edge until the cover is closed.

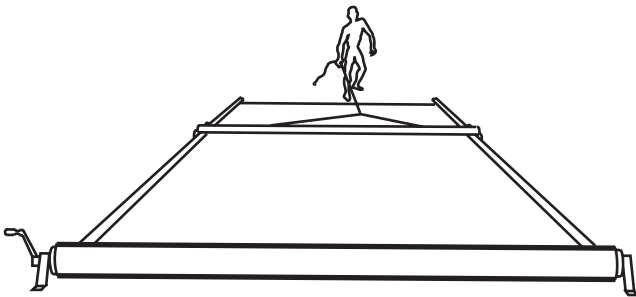
NEXT: Always latch the leading edge and the roller opening barricade, if removed. In some circumstances a young child may be able to force its way under the cover by pulling or pushing on the leading edge. Another risk is that when weight is applied to the cover (such as from water, snow load, or another child standing on the cover), it may force the leading edge open enough to allow a child to slip through the opening.

Make sure your cover is closed completely as described in this manual then fasten all latches immediately. Put the cover pump on the cover at this time.

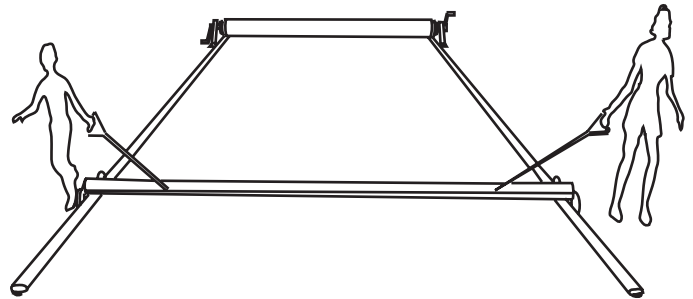
OPENING THE POOL: Unlatch the leading edge. Remove the roller opening barricade if necessary. Remove the cover pump and any debris that may damage the cover. Turn the handle on the roller assembly to roll the cover under the roller, never over it. If you are using a power wheel, pull on the strap handle walking down the side of the pool until the cover is open. Do not try to retract the pool cover too closely to the end of the tracks.

WARNING! Never leave the cover partially open. Pull ropes and straps left on the deck are a tripping hazard.

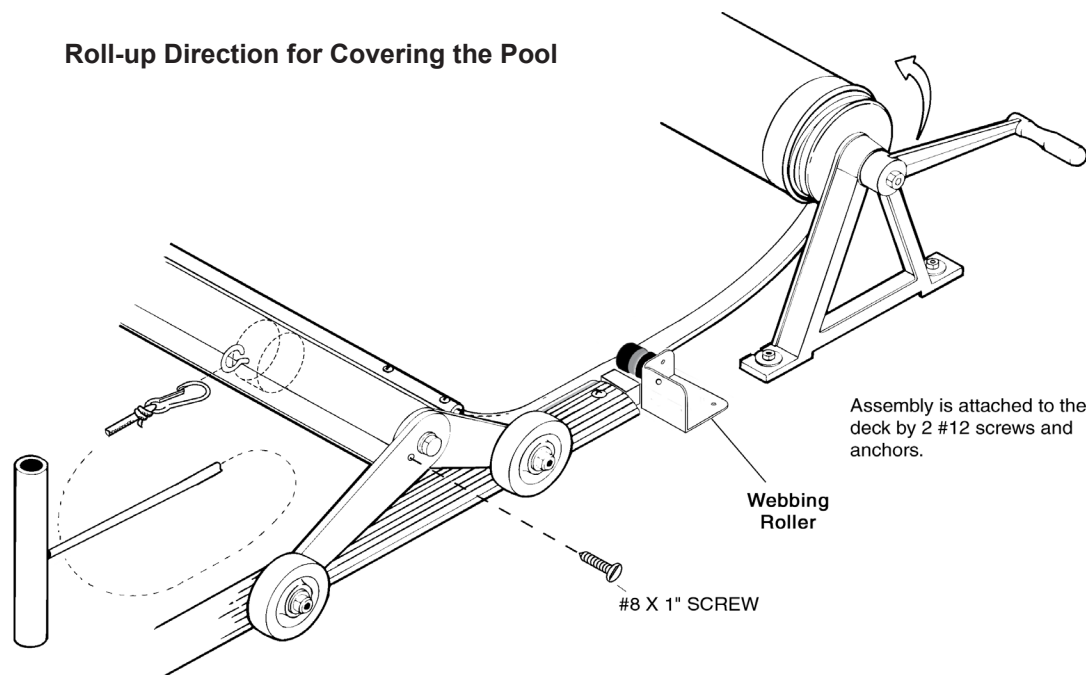
One Person Covering the Pool



Two People Covering the Pool



Roll-up Direction for Covering the Pool



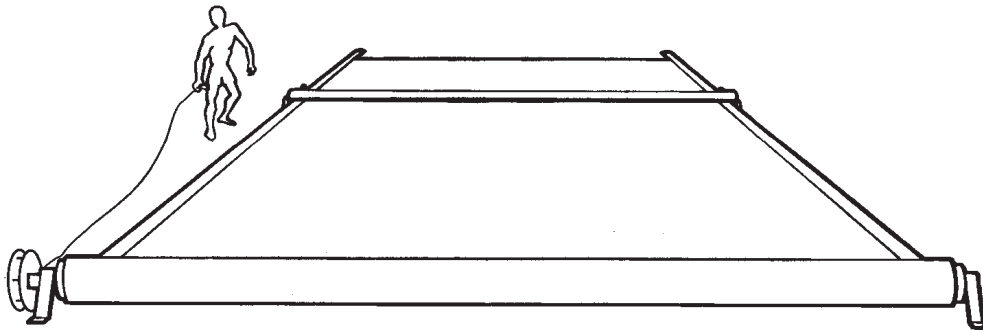
OPTIONAL POWER WHEEL OPERATION

To open your STEP-SAVER cover using the Power Wheel option, simply take hold of the pull strap handle and walk down the deck. The pull strap will be somewhat longer than the pool. After the pool cover is fully open, store the strap in its storage bag to prevent the strap from falling in the pool or someone tripping over it.

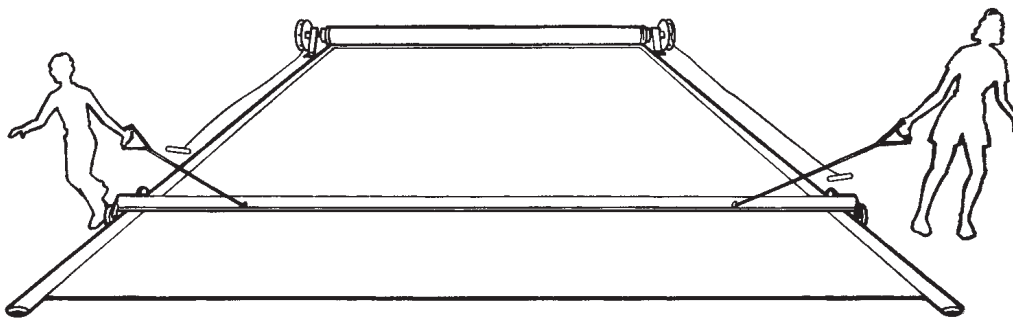
To close the pool, stretch the strap down the deck. Next, close the cover to its fully closed position by pulling the rope harness. The strap will roll up automatically on the Power Wheel. Latch the leading edge and put the cover pump on the cover. See page 4.

WARNING! Never leave the cover partially open. Pull ropes and straps left on the deck are a tripping hazard.

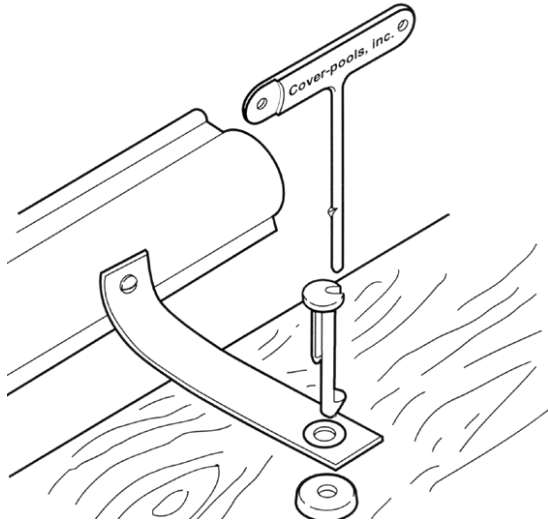
Opening the Cover with a Power Wheel



Two People Covering the Pool



KEY LATCH



LATCHING PROCEDURE

1. Close cover to designated point.
2. Put pin through the grommet in the strap.
3. Press the pin into the housing in the deck until it clicks into place.

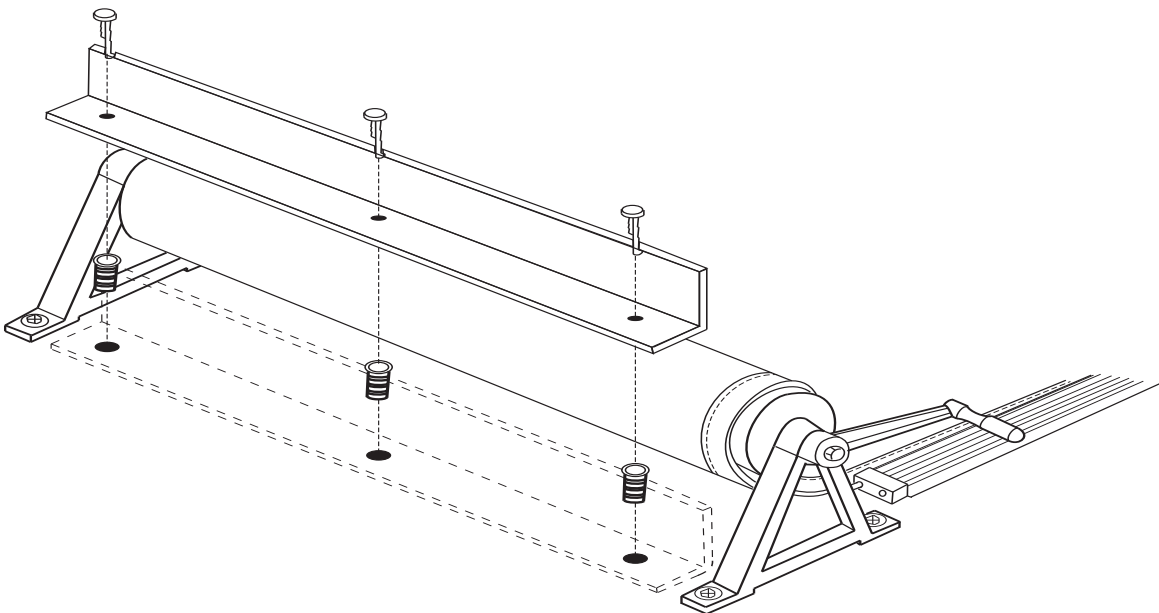
TO REMOVE PIN

1. Put the key in the top of the pin. Line up the pin slot with the key spur.
2. Push the key down until it stops.
3. Turn the key 90 degrees.
4. Pull up on the key to remove the pin from the housing.

ROLLER OPENING BARRICADE

A barricade has been provided behind the roller to prevent children from accessing the water from under the roller. On long covers it may be necessary to remove the barricade before operating the cover. Your cover installer will instruct you if this is necessary. Also, as your cover material gets older, it may not roll up in as small a roll as when new. If the cover is rubbing on the barricade when it is being opened, you must remove the barricade before operating the cover. To remove the barricade, use the key provided for the leading edge latch and remove the anchors. Reinstall the barricade after closing the cover.

Roller Opening Barricade



WATER ON TOP OF THE COVER

Standing water on top of your cover poses as great a hazard as an open pool. You have been provided with a submersible pump that has an automatic on/off switch, designed to reduce this hazard. The pump should be placed on the cover anytime your pool is covered.

To place the pump on your cover, you can set the pump at the side of the pool, then push it into place with a pool brush. Or, if someone is available to assist you, you can stand at the lid end of the pool and place the pump on the cover as it closes.

Be aware that water accumulation on top of the cover can come from holes or leaks in your cover or from over-spray and misdirected sprinklers while watering, not just from rain or snow. Obviously a cover that is covered by water is a hazard.

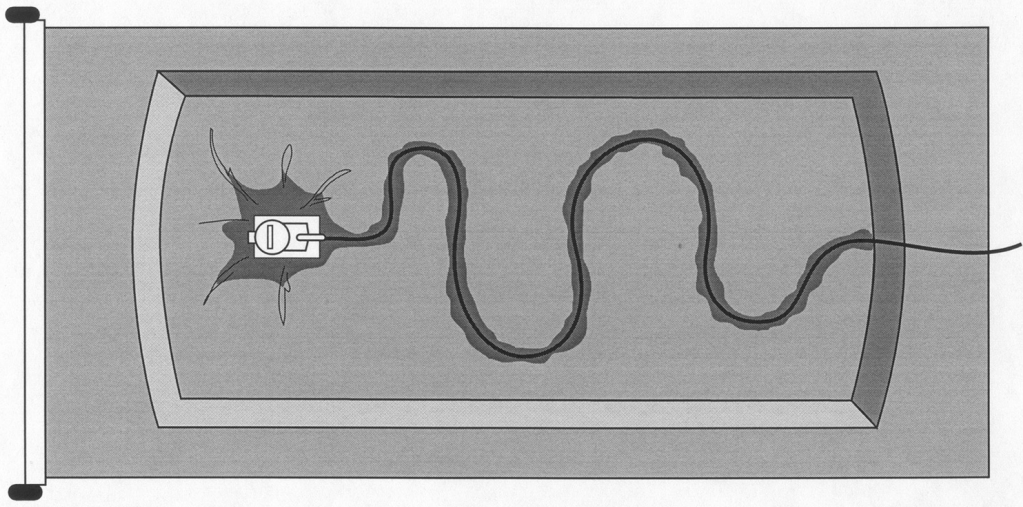
Isolated puddles tend to migrate toward a depression. A young child can create a depression great enough to collect a dangerous amount of water.

Caution: Never attempt to run the cover with water on it. Damage can occur to the fabric and mechanism.

After your pump has stopped and most of the water has been removed, the pump itself should create enough of a depression to allow continual consolidation of water. This consolidation can be enhanced by snaking a long discharge hose over as much of your cover as possible to create a natural channel for water to flow back to your pump (see diagram). The water will be removed as it is channelled back to your pump. Due to different shapes and construction styles of pools, the occurrence of isolated puddles of water will be specific to your cover. After you become familiar with where the puddles usually occur, you should be able to position your discharge hose so you can remove nearly all the water on your cover.

If you plan on being away from your pool for a long period of time, you should find a neighbor or friend to check your cover frequently to make sure all standing water has been removed. Your pump can be left on the cover all winter. The pump will freeze into the ice without damage and it will activate itself as the ice melts during the winter. Make sure you keep power on to the pump and that the discharge hose is free of kinks.

PUMP PLACEMENT ON POOL COVER



NOTE: Cover-Pools supplies a variety of pumps depending on the size of your cover and region you live in. Carefully follow the instructions that have been supplied with your pump.

WARNING! — Your pump is an electric appliance and caution should be used when handling your pump and electric cord around water. Do not use extension cords. If your pump or cord becomes damaged, replace the pump immediately. Plug the pump into a GFCI-protected outlet only. Place the pump on the cover first then plug in the pump second. DO NOT stand on a wet surface while using the pump. Avoid contacting accumulated surface water on your cover when the pump is on the cover. Electric shock is possible. Your pump should *not* be used for any other application other than specified in these instructions. Your pump has been provided with a stabilizer plate so it remains upright. DO NOT allow the pump to tip over: the automatic on/off feature will not work which creates a drowning risk. Keep the pump clean and in a well-maintained condition at all times.

ADJUSTMENTS AND MINOR REPAIR

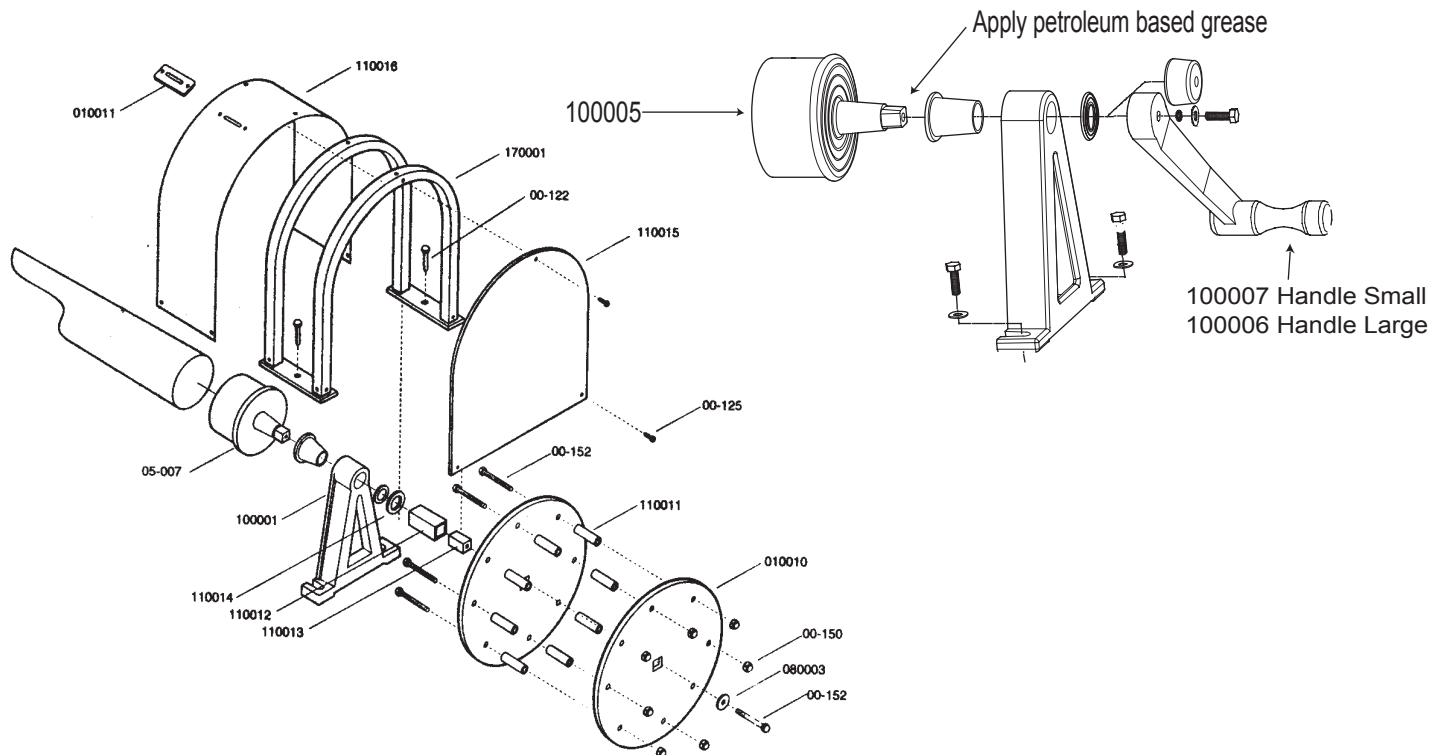
SERVICE: Some service, such as adjusting the cover alignment and patching holes, is simple enough that you might want to do it yourself. Other service is much more complex than it first appears, and we recommend that an owner leave repairs to their local authorized service technician. We advise you to call Cover-Pools at 800-447-2838 for advice before you undertake any serious service project on your own.

LUBRICATION: Once per season lightly lubricate the hub inside the plastic bushing with a petroleum based grease.

TRACK CLEANING: The track may collect dirt and debris over a period of time. A buildup of dirt and debris can affect the operation and adjustment of your cover. If the channels in your cover track are not cleaned when necessary, the edging on your cover and the protective anodized coating on your track can wear out prematurely. To clean the track, you should retract the cover, then squirt water under pressure into the track. The water will flush out debris if squirted the full length of the track at close range. In most situations your track should be cleaned twice a season. For pools that are used year round, or if you are in an area that is sandy or windy, cleaning should be done more often. Never use anything but water to clean the tracks or other extrusions.

PATCHING THE VINYL COVER: Holes in the cover should be patched as soon as they appear. You have been supplied with a tube of vinyl glue and patch material. Small pin size holes can be patched by applying a dab of glue directly in the hole. Large cuts or tears can be patched by cutting out a patch piece of material, then apply glue to one side of the entire patch and glue in the same pattern as the patch to the cover. Let the glue set up slightly before applying patch. If possible patch both sides of the hole.

WATER LEVEL: The ability of your cover to support any weight is completely dependent upon your maintaining the pool water at normal operating level. In many cases, the cover will not even support itself if run over a low or empty pool. **Severe damage to the cover may occur and a great hazard may develop if your water level is not maintained properly** (see winterizing instructions).



INSPECTION PROCEDURE FOR WEAR AND DETERIORATION

You should give the components of your cover a thorough inspection at least two to three times a year.

1 - VINYL COVER: The vinyl cover material is constructed with a tough combination of vinyl and a polyester mesh. Over the years, depending on your cover's exposure to chemicals, heat and sun, the vinyl will become brittle and eventually begin to crack. When this occurs the polyester mesh will be exposed and begin to change the capability of your cover to hold weight. Inspection for this kind of deterioration should begin with an examination for leaks. If you have leaks, patch the hole immediately. Check the area around the hole to see if it has become brittle or stiffer than the rest of the cover. Any change in the feel of the vinyl where it begins to seem brittle or stiff can indicate a problem. If the normal square pattern you see in your cover from the polyester mesh changes so that the mesh pattern appears to be more pronounced than the other parts of the cover, it could be an indication of the vinyl becoming weak. In areas where your cover is pulled over your deck or coping it is possible to gradually wear the vinyl away from the reinforcing mesh. Once the mesh is exposed it can begin to deteriorate or break. Have the cover repaired immediately if you notice this problem.

Last, you should inspect the sewing where the vinyl is attached to the webbing (edging) along the side of your cover by your tracks. If any threads are broken or if the webbing has begun to tear or fray, the strength of your cover will be compromised.

2 - COVER TRACK: Since your track is the main means of anchoring your cover to your pool, inspection of the fasteners used to hold your track to the pool sides is as important as inspecting the cover. Make sure that all screws are tight and replaced if missing. The channel or opening that your webbing slides in can wear over the years. Check for blackening around the opening. This indicates wear of the anodizing (protective coating) on your track which means the dimension of the channel could be getting larger. Once it becomes large enough, any weight placed on the cover can pull the cover out of the track. If you feel there is marked difference in any of the items we have asked you to inspect, please contact your pool cover serviceman immediately for a detailed inspection.

WINTERIZING YOUR COVER

There is a limit to how much water, snow, and ice a pool cover can support. Each gallon of water on the cover weighs eight pounds and a few inches of rain can quickly result in a ton of water. Without the support of water underneath the cover, tracks may pull off, the cover may tear, or other damage could occur to the pool that may create a hazardous situation. **It is important to maintain the same water level all year.**

Make at least monthly inspections of the water level under the pool cover.

FALL MAINTENANCE: It is important to keep all water pumped off your cover as freezing weather approaches so you can go through the winter with as little weight as possible on the cover. Your pump can be left on the cover through freezing weather. Follow instructions as described in the section "WATER ON TOP OF THE COVER."

WINTER MAINTENANCE: Inspect the water level in the pool at least once a month and add water if necessary. (One method is to add water via the skimmer.) Please note that your water level may appear to be normal if there is ice or snow on the cover. The weight on top of the cover displaces an equal volume of water under the cover and the pool water may be much lower than it appears. Adding water will float the ice or snow on the cover upward, thus relieving stress on the cover. As the ice or snow melts the cover pump will turn on to remove it. Your cover will survive the winter if these procedures are followed.

DRAINAGE: Any drain in the housing should be kept free of debris to allow water to drain freely. The lid covering the housing should always be kept in place to avoid the hazard of someone stepping into the housing area and to prevent rain from directly entering the housing.

If it is not possible to keep your pool full during the winter, then the cover should be left off the pool and other safety precautions should be taken.

FACTS ON FABRICS

Our customers are occasionally concerned about extra slack in the pool cover. There are several factors that we use in determining slack. The width of the pool, water level drop, and the geographical area can all affect the amount of slack we use. The reasons we have slack in our pool covers are as follows:

1. The pool cover has extra slack to handle rain and snow loads. Without it, the pool cover and, in some cases, the pool could sustain substantial damage from excessive weight.
2. The pool cover fabric will shrink, sometimes as much as one percent. This may seem negligible; however, this percentage can amount to as much as three to four inches on a 20-foot wide pool cover.
3. Indoor pools are commonly heated year-round. They may shrink more than an outdoor pool cover.

Over our many years of experience we have had several examples of well-maintained cover material that has lasted beyond our expectations. The key to longevity in all cases has been proper pool chemical balance as well as regular care and cleaning of the cover.

Care of the cover begins by removing any sharp objects before opening the cover and removing leaves, dirty water, etc. before they have a chance to leave a residue on the vinyl. When the cover does become soiled from dirt, organic matter, or undissolved solids from chemicals, the cover should be rinsed off with fresh water. Indoor covers may seldom appear dirty; however, harmful chemical deposits can build up on top of the fabric, and if not rinsed off regularly, can cause premature fabric failure.

For stubborn stains, try using a soft bristle brush and scrub the cover with fresh clean water. For oils like suntan lotion or leaf stains, or anything that cannot be removed by just scrubbing, try using a small amount of non-detergent cleanser. Never use detergents on the vinyl. One of the most available non-detergent cleaners is Ivory® bar soap (not dish-washing liquid). Use the bar soap on a wet cloth and scrub the soiled area. Next, rinse well with fresh water.

For algae stains, especially black algae which may be seen on the underneath side of the cover, you may use a mixture of water and Clorox®. Use one (1) part Clorox® to nine (9) parts water. Specifically use Clorox, not just the pool's chlorine. This solution may be wiped directly on the algae.

WARNING: Never leave an open pool unattended. Notify anyone you allow to operate your cover of the same information.

CHEMICALS AND YOUR COVER

The primary thing to remember regarding chemicals and your new cover is that the chemical program may be different from that of a pool without a cover. With proper use, the cover will substantially diminish the loss of chemicals. Therefore, any previous chemical programs for pools without covers may need to be adjusted to maintain proper chemical balance in your covered pool.

You must avoid a build-up in the quantity of chemicals in the pool water that can result in serious damage to pool walls and equipment. Such a build-up may also create an improper water balance which may cause deterioration of the vinyl cover. A deterioration so caused is not covered by the warranty. After adding any chemicals to your pool, allow the chemicals to circulate before closing the cover. If you are unsure if it is safe to close the cover, test the water at the surface with your test kit. ***IF IT IS SAFE TO SWIM IN, IT IS SAFE TO COVER!**

In our testing we have found that high alkalinity or high chlorine levels can begin to break down the cover prematurely. Some pH adjusters may create harmful levels of alkalinity (high pH) if not allowed to mix with the water before the cover is closed. The same is true with chlorine shocks. Some chlorine shocks require as long as 12-24 hours to return to swimmable range. Since safety is the major reason most people purchased their cover, we recommend the use of a non-chlorine shock. With this type of shock the cover may be closed in 30 minutes or less. Please check with your pool service company for proper usage.

Making sure your water is balanced should be on top of the checklist before covering the pool for extended periods of time, such as winterizing. Double check the water after the chemicals have had a chance to mix completely. This may require checking the pool water a day or two later. When covering the pool for long periods of time turn down ozone generators and chemical feeders to their lowest level. Constant long-term build up of ozone can damage the fabric.

Patch even the smallest holes as soon as they occur with the vinyl patch kit. If water penetrates the vinyl and comes in contact with the scrim (the thread reinforcing), the thread will soak up water and carry chemicals and contaminants to the inside of the material. This will lead to stiffening and or delamination of the vinyl. Patching should be done on both sides of the hole in the cover if possible.

Please make sure your pool service company or anyone in charge of pool maintenance is aware of this information.

WARNING! Never leave an open pool unattended. Notify anyone you allow to operate your cover of the same!

PLEASE HAVE YOUR POOL COMPANY FILL IN THE FOLLOWING

RECOMMENDED ALKALINITY _____

RECOMMENDED SANITIZER LEVEL _____

RECOMMENDED pH _____

SANITIZER TYPE _____

RECOMMENDED SALT LEVEL _____

SHOCK FREQUENCY _____

(Always leave cover open until water is back to swim range)

OTHER RECOMMENDATIONS _____

POOL SAFETY

Thank you very much for your purchase of a Step-Saver® cover. We make every effort to provide you with the safest product available and want to stress the following safety precautions.

Cover Pools recommends “layers” of protection. Your Step-Saver cover is a reliable layer; however, you should not rely on any one layer to be fail proof.

A swimming pool can provide your family with hours of entertainment and the opportunity for healthy recreation. As a pool owner, be aware that you must ensure your child’s safety. There is a risk of a child drowning when around any body of water.

There is no substitute for constant adult supervision. Most drownings occur during a five-minute-or-less lapse in supervision. By providing barriers between your child and the pool, you can avoid a tragic accident should your child momentarily slip out of sight.

Don’t rely on one system—layering safety precautions provides the strongest safeguard.

Never leave a child alone—even for a second.

Maintain constant eye contact with your children when they are around the pool.

Do not consider young children water-safe because they have had swimming lessons. Swimming instructions for children under three years of age are not recommended.

Instruct baby-sitters about potential hazards to young children in and around swimming pools and the need for constant supervision.

Train all caretakers in life-saving, cardiopulmonary resuscitation and first aid. No exceptions.

Install a telephone pool side with emergency numbers posted.

Keep toys away from the pool when the pool is not in use. They can lure a child into the pool.

Use inflatable toys only under adult supervision. They may deflate or your child may slip off.

Post and enforce rules such as No Running, No Pushing, No Dunking, and Never Swim Alone.

Make sure you have rescue devices accessible pool side.

Keep all doors and windows leading from the house to the pool area secure. Install self-closing mechanisms on doors.

Enclose the pool with a barrier. In fact, fencing may be required in certain area. Check your local city or county building code for more information.

Install only child-proof, self-closing, self-latching gates around the pool.

Vertical bars on a pool fence should be no more than three-and-three-fourths inches apart. Avoid fences such as chain link that provide footholds for little climbers’ feet.

Place table and chairs well away from the pool fence to prevent children from climbing into the pool area.

Alert your pool maintenance people, utility personnel, and your neighbors to keep covers, gates, doors to pool closed and locked at all times.

Check to ensure that spa and pool covers pass minimum safety requirements set by the American Society of Testing Materials.

Never use a pool with its cover partially in place since children may become trapped under it.

Beware of a free-floating pool cover. A child can slip beneath one unnoticed.

Realize that a child can drown in as little as two inches of water. Drain standing water off of your spa or pool cover.

Investigate using a pool alarm and/or a monitoring system that can be worn by a child.

Remove ladders and steps from above ground pools. No objects should be in the pool area for a child to climb on and into the water.

Inspect safety and pool equipment regularly. Preventive devices are only effective if they are in working order.

Sources: Drowning Prevention Society; United States Consumer Product Safety Commission; National Spa and Pool Institute’s Operation Water Watch; and the American Academy of Pediatrics.