



## **Autosave™ Safety Spa Cover** Owner's Manual

This spa cover has been installed with the following features:

- Auto-Shutoff (Instructions included separately)
- CoverLink™ Control Pad (Instructions included separately)
- Automatic Chlorinator (Consult your pool company for use)

*Please read operation instructions for these features.*

## TABLE OF CONTENTS

INSTALLATION SAFETY CHECKLIST .....	3
AVOID DROWNING RISKS .....	3
PROTECT YOUR INVESTMENT.....	3
POOL SAFETY.....	4
OPERATING INSTRUCTIONS .....	5
Covering the Spa .....	5
Uncovering the Spa .....	5
COVER COMPONENTS.....	5
REMOVING WATER ON TOP OF THE COVER .....	6
Placing the Pump on the Cover .....	6
BASIC MAINTENANCE.....	7
Motor .....	7
Water Level.....	7
Track Cleaning .....	7
Mechanism Cleaning.....	7
Replacing a Pulley.....	7
INSPECTION PROCEDURE FOR WEAR AND DETERIORATION.....	7
Vinyl Cover .....	7
Cover Track .....	7
FABRIC MAINTENANCE AND CARE .....	8
Debris and Obstacles .....	8
Cleaning .....	8
Repair Holes .....	8
Winterizing Your Cover .....	8
CHEMICALS AND YOUR COVER.....	9
Recommended Chemical Plan .....	9
Lubrication .....	10
ADJUSTMENTS AND MINOR REPAIR.....	11
Uneven Cover Retraction .....	11

## PLEASE READ AND FOLLOW ALL INSTRUCTIONS!

**▲WARNING** When installing and using this electrical equipment, basic safety precautions should always be followed, including the following.

1. To reduce the risk of injury, do not permit children to operate this product.
2. Remove and safely store the key after covering or uncovering your pool or spa.
3. Turn off the electrical breaker when the cover will not be used for extended periods of time or as an added layer of protection against unauthorized operation. Always turn off the breaker before servicing the cover.

### INSTALLATION SAFETY CHECKLIST

For your benefit, double check the following items with your installer/ representative to aid in your understanding of the use of your cover.	YES	NO
1. Has a representative from the company who installed your Autosave explained to you the proper operation of the system?		
a. Roll-up adjustment		
b. Chemical application as it affects the cover		
c. Authorized operation		
d. Proper maintenance		
e. Placing the cover pump in position when the cover is closed		
2. Did a representative offer you assistance on how to maintain a safer pool area?		
3. Did you receive drowning prevention information?		
Please take the time with your representative to go over this list to ensure that you understand the importance of the proper use of your pool cover.		

## ▲WARNING

### AVOID DROWNING RISKS

- |  |   |
|--|---|
| <ul style="list-style-type: none"> <li>• REMOVE STANDING WATER—CHILDREN CAN DROWN ON TOP OF THE COVER</li> <li>• REMOVE THE COVER(S) COMPLETELY BEFORE ENTRY OF BATHERS—ENTRAPMENT IS POSSIBLE.</li> <li>• NON-SECURED OR IMPROPERLY SECURED COVERS ARE A HAZARD.</li> </ul> | <ul style="list-style-type: none"> <li>• DO NOT WALK ON THE COVER EXCEPT IN AN EMERGENCY.</li> <li>• FAILURE TO FOLLOW ALL INSTRUCTIONS MAY RESULT IN INJURY OR DROWNING.</li> <li>MEETS ASTM F 1346-91 CLASS PCS WHEN USED AS INSTRUCTED.</li> </ul> |
|--|---|

## ▲WARNING

This product's leading edge contains trace amounts of styrene, which is known in the state of California to cause Cancer. For more information go to [www.P65Warnings.ca.gov](http://www.P65Warnings.ca.gov)

### PROTECT YOUR INVESTMENT

Your automatic cover is designed to perform reliably throughout many years of daily use. Since the automatic cover is easy to use, some people allow anyone to operate it. Our experience shows that service requirements increase with the number of people who operate the cover without having received instruction. **Do not allow anyone to operate the cover unless they have been properly instructed. Never allow children to operate the cover.**

**▲WARNING** Do not walk on the cover except in the case of an emergency. Playing or walking on the cover

unnecessarily can cause injury and increases the risk of damage to the cover. The standard aluminum lid over the cover housing is not strong enough to walk on; to prevent damage or injury, avoid stepping on the lid. Lids may be slippery when wet. Before operating the cover, remove all objects from the spa and cover, including toys, spa cleaners, cover pumps and hoses. Be sure you have full view of the spa area when operating the cover. To reduce the risk of drowning which can result in serious injury, including death, do not leave a spa partially covered.

## POOL SAFETY

Thank you for your purchase of a Cover-Pools cover. Cover-Pools make every effort to provide you with the safest product available and want to stress the following safety precautions.

Cover-Pools recommends “layers” of protection. Your cover is a reliable layer; however, you should not rely on any one layer to be fail proof.

A swimming pool or spa can provide your family with hours of entertainment and the opportunity for healthy recreation. As a pool or spa owner, be aware that you must ensure your child’s safety. There is a risk of a child drowning when around any body of water. There is no substitute for constant adult supervision. Most drowning occurs during a five-minute-or-less lapse in supervision. By providing barriers between your child and the pool or spa, you can avoid a tragic accident should your child momentarily slip out of sight.

Don’t rely on one system—layering (pool cover, fence, alarm...) safety precautions provides the strongest safeguard.

Never leave a child alone—even for a second.

Maintain constant eye contact with your children when they are around the pool or spa.

Do not consider young children water-safe because they have had swimming lessons. Swimming instructions for children under three years of age are not recommended.

Instruct all care-takers about potential hazards to young children in and around swimming pools and the need for constant supervision.

Train all caretakers in life-saving, cardiopulmonary resuscitation and first aid. No exceptions.

Install a telephone near the pool or spa with emergency numbers posted.

Keep toys away from the pool or spa when the pool or spa is not in use. They can lure a child into the pool or spa.

Use inflatable toys only under adult supervision. They may deflate or your child may slip off.

Post and enforce rules such as No Running, No Pushing, No Dunking, and Never Swim Alone.

Make sure you have rescue devices accessible near the pool or spa.

Keep all doors and windows leading from the house to the pool area secure. Install self-closing mechanisms on doors.

Enclose the pool or spa with a barrier. In fact, fencing may be required in certain areas. Check your local city or county building code for more information.

Install only child-proof, self-closing, self-latching gates around the pool or spa.

Vertical bars on a pool fence should be no more than 3-3/4 inches apart. Avoid fences such as chain link that provide climbing footholds.

Place table and chairs well away from the pool fence to prevent children from climbing into the pool area.

Alert your pool maintenance people, utility personnel, and neighbors to keep covers, gates, and doors to pool closed and locked at all times.

Check to ensure that spa and pool covers pass minimum safety requirements set by the American Society of Testing Materials.

Never use a pool or spa with its cover partially in place since children may become trapped under it.

Beware of a free-floating pool cover. A child can slip beneath one unnoticed.

Realize that a child can drown in as little as two inches of water. Drain standing water off of your spa or pool cover.

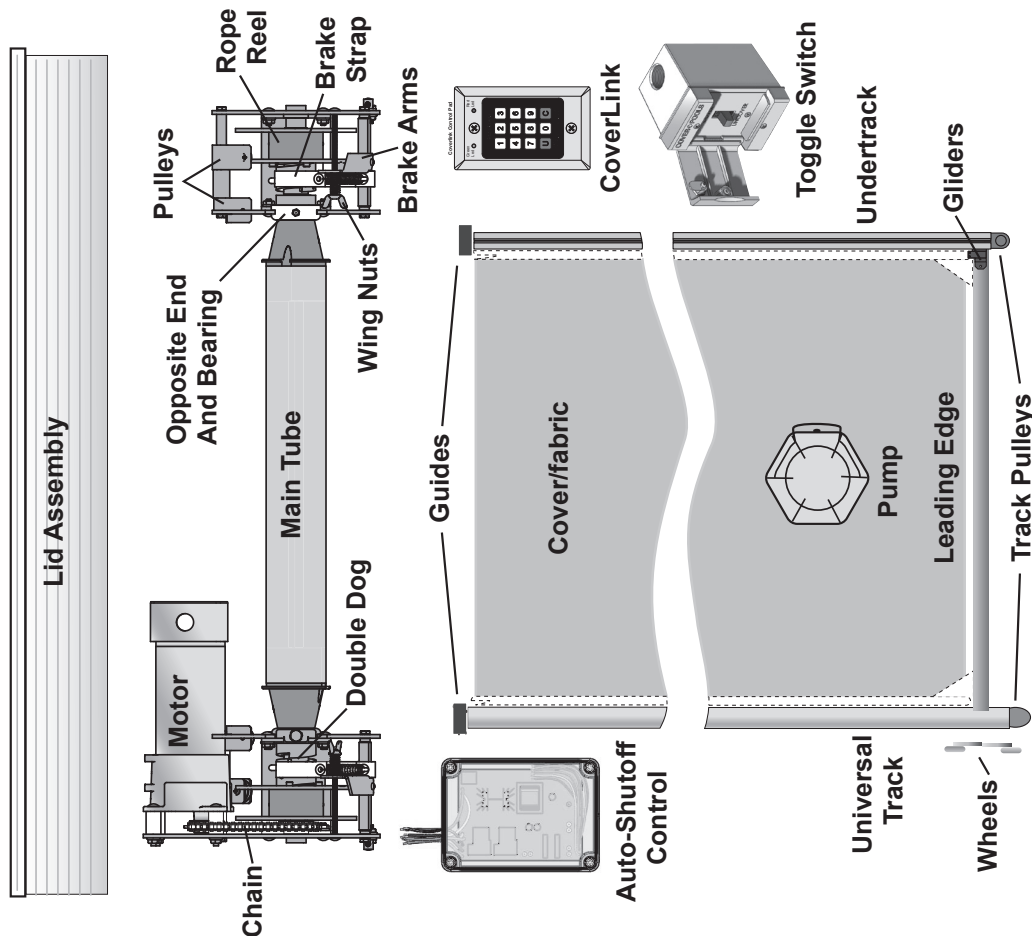
Investigate using a pool alarm and/or a monitoring system that can be worn by a child.

Remove ladders and steps from above ground pools. No objects should be in the pool area for a child to climb on and into the water.

Inspect safety and pool equipment regularly. Preventive devices are only effective if they are in working order.

Sources: Drowning Prevention Society; United States Consumer Product Safety Commission; National Spa and Pool Institute’s Operation Water Watch; and the American Academy of Pediatrics.

## COVER COMPONENTS



## OPERATING INSTRUCTIONS

### Covering the Spa

Remove any objects from the spa.

**Toggle Switch:** Toggle and hold the switch in the COVER position until the spa is completely covered. **With Auto-shutoff:** Toggle to COVER for one second and let go. Then toggle and hold the switch in the COVER position until the spa is completely covered.

**CoverLink™ control:** Enter the four-digit PIN and press “cover” until the spa is covered.

**For Undertrack Systems,** release the switch or control pad a few inches before the end of the spa, let the cover coast to a stop, then close until the front of the cover taps the end of the spa. This “soft stop” method will improve the life of the cover and its components rather than overrunning to the end of the spa under full motor torque and having the cover hit the end.

**For Universal Track Systems,** run the cover up to within two to three inches of the end of the track and stop. Do not attempt to close the cover completely against the pulley castings at the end of the tracks. A convenient way to judge this is to place a stop mark on the cover, which will align with a stop mark placed on the tracks at a place where you can see it from the control.

Remove the key from the toggle switch, and store it in a secure location to prevent unauthorized operation of the cover. The CoverLink digital control will deactivate after 20 seconds.

Place the cover pump on the cover at this time [see

“Placing the Pump on the Cover” on page 6.] Keep the pump on the cover whenever the spa is covered.

### Uncovering the Spa

Remove the pump and any debris from the cover.

**Toggle Switch:** Toggle and hold the switch in the UNCOVER position until the spa is uncovered. **With Auto-shutoff:** Toggle to UNCOVER for one second and let go. Then toggle and hold the switch in the UNCOVER position until the spa is completely uncovered. **CoverLink:** Enter the four-digit PIN and press “uncover.”

Continue to uncover the spa until the cover is within a few inches of the end of the spa. Let the cover coast to a stop, then operate the cover until the spa is completely uncovered.

Do not retract the spa cover too closely to the end of the tracks. With most undertrack models, the leading edge should rest half way across the spa end wall. On universal track models, the leading edge should stop before the mechanism housing.

**⚠WARNING** In order to minimize the risk of drowning which can result in serious injury or death, the control pad must be mounted permanently on a wall in full view of the cover. Do not remove the control pad and carry it like a portable remote. This may be a direct violation of local codes.

**NOTE:** Stop the cover briefly before hitting the spa wall or track ends to increase the life of the cover components.

## REMOVING WATER ON TOP OF THE COVER

**▲WARNING** Do not let persons or pets access or play on the cover. Water which may have collected on top of the cover poses a potential risk of drowning which could result in serious injury or death. Isolated puddles tend to migrate toward a depression. Persons or pets can create a depression in the cover that could be large enough to collect potentially dangerous amounts of water which can pose risk of drowning.

Standing water on top of your cover poses as great a hazard as an open spa. You have been provided with a submersible pump designed to reduce this hazard by sensing water accumulation and turning on or off automatically. Always place the pump on the cover anytime your spa is covered.

Water accumulation on top of the cover can come from holes or leaks in the cover, from over-spray and misdirected sprinklers, or from rain and snow.

**▲Caution** Never attempt to run the cover with water on it. Damage can occur to the fabric and mechanism.

### Placing the Pump on the Cover

- 1. Place the pump on your cover:** (1) set the pump at the side of the spa, then push it into place with a pool brush. Or, (2) stand at the lid end of the spa and place the pump on the cover as a second person closes the cover.

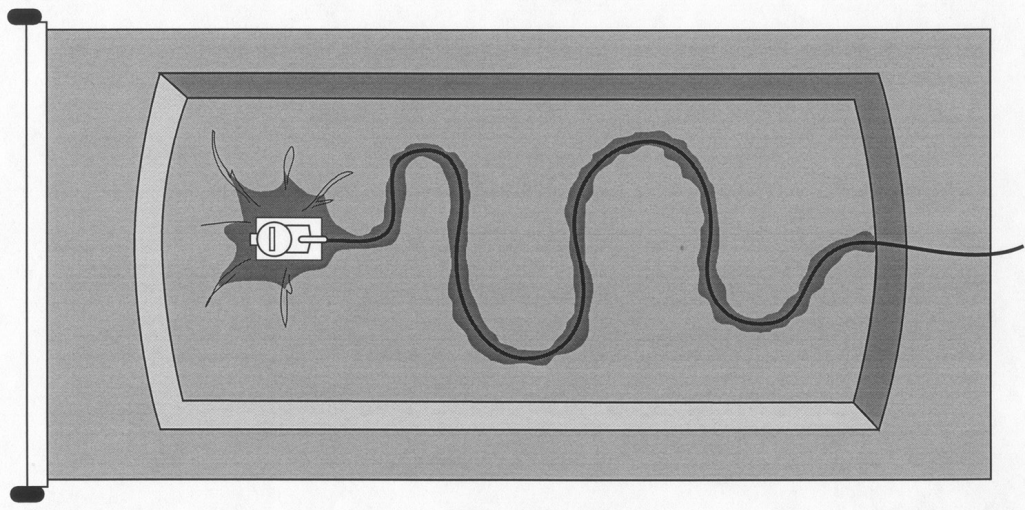
- 2. Snake the Hose:** Snake a long discharge hose over as much of your cover as possible to create a natural channel for water to flow back to your pump (see diagram). The water will be removed as it is channelled back to your pump. Isolated puddles of water will be specific to your cover; after you become familiar with where puddles occur, position your discharge hose so you can remove nearly all the water.

- 3. Plug in the Pump:** Plug the pump into a GFCI-protected outlet.

After the pump has stopped and most of the water has been removed, the pump should create a depression to allow consolidation of water.

If you plan on being away from your spa for a long period of time, ask a neighbor or friend to check your cover frequently for standing water. Your pump can be left on the cover all winter. The pump will freeze into the ice without damage and will activate itself as the ice melts. Make sure the pump has power and the discharge hose is free of kinks.

**NOTE:** Cover-Pools supplies a variety of pumps depending on the size of your cover and region you live in. Carefully follow the instructions that have been supplied with your pump.



**▲WARNING** In order to prevent the risk of drowning, fire or electric shock, which could result in property damage or serious injury, including death, be sure to adhere to the following:

- Plug the pump into a Ground Fault Circuit Interrupter (GFCI) - protected outlet only.
- Do not use extension cords.
- If your pump or cord becomes damaged, replace the pump immediately.
- Place the pump on the cover first; then plug in the pump.
- DO NOT stand on a wet surface while using the pump.
- Avoid contact with accumulated surface water on your cover when the pump is on the cover.
- Do not use the pump for anything other than what is specified in these instructions.
- The pump is provided with a stabilizer plate to keep it upright. To ensure that the automatic on/off feature operates properly, Do NOT allow the pump to tip over.
- Keep the pump clean and well-maintained at all times.

## BASIC MAINTENANCE

### Motor

The motor we provide is waterproof and capable of withstanding short-term submersion. However, you should not allow the motor to be submersed for periods longer than a few hours. Your system housing should have adequate means of drainage for below-deck or recessed installations. Make sure all drains remain clear. Your motor has an internal thermal overload switch. If the motor overheats to the point where the switch activates, it will reset automatically when cool.

### Water Level

The ability of your cover to support any weight is completely dependent upon your maintaining the pool water at normal operating level. In many cases, the cover will not support itself if run over a low or empty pool or spa.

**▲WARNING Severe damage to the cover may occur and a great hazard may develop if your water level is not maintained properly!** (see "Winterizing Your Cover" on page 8).

### Track Cleaning

The track may collect dirt and debris over a period of time. A buildup of dirt and debris can affect the operation and adjustment of your cover. If the channels in your cover track are not cleaned when necessary, the edging on your cover and the protective anodized coating on your track can wear out prematurely. To clean the track, retract the cover and spray water into the track. The water will flush out debris if sprayed the full length of the track at close

range. In most situations your track should be cleaned twice a season. For pools or spas that are used year round, or if you are in an area that is sandy or windy, cleaning should be done more often. Never use anything but water to clean the tracks or other extrusions.

### Mechanism Cleaning

Over time, dried chemicals and dirt can build up on your mechanism. If these components are not rinsed off, the buildup can become so excessive that damage can occur. We recommend rinsing the components as soon as you see a noticeable residue. The metal components of your pool cover should be rinsed off with fresh water only. The frequency will vary with the usage of the pool cover. When in doubt, it is better to rinse too frequently, than not frequently enough. When rinsing the mechanism, turn off all electricity to the cover. Make sure you have adequate drainage in your cover housing. The motor will withstand direct spray at low force. NOTE: Improper chemical balance can rapidly affect your system as well as the cover fabric. Check your water regularly to be sure it is balanced properly. Please review the rest of this manual for proper chemical balance recommendations.

### Replacing a Pulley

At the end of each track is a pulley. A worn pulley can cause cover adjustment problems and eventually lead to a broken rope. Pulleys usually last about three years. If a pulley in the end of the track causes a noticeable clicking or grinding sound, it is worn. You should contact your local dealer for a replacement as soon as possible.

## INSPECTION PROCEDURE FOR WEAR AND DETERIORATION

You should give the components of your automatic cover a thorough inspection at least two to three times a year.

### Vinyl Cover

The vinyl cover material is constructed with a tough combination of vinyl and a polyester mesh.

**Inspect the vinyl:** Over the years, depending on your cover's exposure to chemicals, heat, and sun, the vinyl will become brittle and eventually begin to crack. When this occurs the polyester mesh will be exposed and begin to change the capability of your cover to hold weight. Inspection for this kind of deterioration should begin with an examination for leaks. If you have leaks:

1. Patch the hole immediately.
2. Check the area around the hole to see if it has become brittle or stiffer than the rest of the cover. Any change in the feel of the vinyl where it begins to seem brittle or stiff can indicate a problem.
3. If the normal square pattern you see in your cover from the polyester mesh changes so that the mesh pattern appears to be more pronounced than the other parts of the cover, it could be an indication of the vinyl becoming weak.

4. In areas where your cover is pulled over your deck or coping it is possible to gradually wear the vinyl away from the reinforcing mesh. Once the mesh is exposed it can begin to deteriorate or break. Have the cover repaired immediately if you notice this problem.

**Inspect the sewing:** Inspect the sewing where the vinyl is attached to the webbing (edging) along the side of your cover by your tracks. If any threads are broken or if the webbing has begun to tear or fray, the strength of your cover will be compromised. Have the cover repaired immediately if you notice this problem.

### Cover Track

Since your track is the main means of anchoring your cover to your pool, inspection of the fasteners used to hold your track to the pool sides is as important as inspecting the cover. Make sure that all screws are tight and replaced if missing. Some track is contained in a channel with shims. Be sure to replace missing shims. The channel or opening that your webbing slides in can wear over the years. If you feel there is marked difference in any of the items we have asked you to inspect, please contact your pool cover service technician immediately for a detailed inspection.

## FABRIC MAINTENANCE AND CARE

With over 50 years of experience, we have seen well-maintained covers last far beyond expectations. The key to a long-lasting, healthy cover has been proper pool chemical balance and regular care and cleaning of the cover.

### Extra Slack in the Fabric

Our customers often question the extra slack in the pool cover. We include slack in our pool covers for the following reasons:

**Rain and Snow Loads:** The pool cover needs extra slack to handle rain and snow loads.

**Fabric Shrinks:** The pool cover fabric will shrink between one to two percent, which can equal three to four inches on a 20-foot wide pool cover. Indoor pools may shrink more because they are often heated year-round.

### Debris and Obstacles

**Sharp Objects:** Remove any sharp objects and obstacles before opening the cover. Sharp objects can damage the cover.

**Obstacles:** Remove any obstacles (toys, dirt, rocks etc.) in the track, on the cover, or in the mechanism housing.

**Debris:** Remove leaves, water, etc. promptly to prevent residue-buildup on the vinyl. When the cover does become soiled from dirt, organic matter, or undissolved chemicals, clean it.

### Cleaning

**Rinse:** Regularly rinse the cover off with a pump in place to remove water and contaminants. Even if the cover does not appear dirty, harmful chemical deposits can accumulate on top of the fabric and can cause premature fabric failure if the fabric is not rinsed regularly.

**Stains:** For stains, use a soft bristle brush and scrub the cover with fresh, clean water.

**Oils and Stubborn Stains:** For oils, such as suntan lotion, or stubborn stains that cannot be removed by scrubbing, use a small amount of non-detergent cleanser. **Never use detergents on the vinyl.** One of the most available non-detergent cleaners is **Ivory® bar soap** (not dish-washing liquid). Use the bar soap on a wet cloth and scrub the soiled area. Rinse well with fresh water.

**Algae:** For algae stains, especially black algae, use a mixture of water and Clorox® bleach. Use one (1) part Clorox to nine (9) parts water. Make sure you use Clorox, not the pool's chlorine. You can apply this solution directly on the algae. Some algicides contain detergent and may damage the cover.

### Repair Holes

Use the vinyl patch kit to patch even the smallest holes as soon as they occur. If water penetrates the vinyl and comes in contact with the scrim (the reinforcing thread), the thread will soak up water and carry chemicals and contaminates to the inside of the material. This may lead to stiffening and or delamination of the vinyl. Patching should be done on both sides of the hole in the cover if possible.

### Winterizing Your Cover

The cover can support a limited amount of water, snow, and ice. Each gallon of water on the cover weighs eight pounds and a few inches of rain can quickly result in a ton of water. Without the support of water underneath the cover, tracks may pull off, the cover may tear, or other damage could occur to the pool or spa that may create a hazardous situation. **It is important to maintain the same water level all year.**

**Make at least monthly inspections of the water level under the pool cover.**

**FALL MAINTENANCE:** It is important to keep all water pumped off your cover as freezing weather approaches so you can go through the winter with as little weight as possible on the cover. Your pump can be left on the cover through freezing weather. Follow instructions as described in the section "WATER ON TOP OF THE COVER" on page 6.

**WINTER MAINTENANCE:** Inspect the water level in the pool or spa at least once a month and add water if necessary. (One method is to add water via the skimmer.) Note that your water level may appear to be normal if there is ice or snow on the cover. The weight on top of the cover displaces an equal volume of water under the cover and the pool water may be much lower than it appears. Adding water will float the ice or snow on the cover upward, thus relieving stress on the cover. As the ice or snow melts the cover pump will turn on to remove it. Your cover will survive the winter if these procedures are followed.

**DRAINAGE:** Any drain in the housing should be kept free of debris to allow water to drain freely. The lid covering the housing should always be kept in place to avoid the hazard of someone stepping into the housing area and to prevent rain from directly entering the housing.

**IMPORTANT! If it is not possible to keep your pool or spa full during the winter, then the cover should be left off the pool and other safety precautions should be taken.**



## CHEMICALS AND YOUR COVER

The pool's chemical program may be significantly different from that of a spa without a cover. With proper use, the cover will substantially reduce chemical loss; therefore, any previous chemical programs may need to be adjusted to maintain proper chemical balance in your covered pool or spa.

**Chemical Build-up:** You must avoid a build-up in the quantity of chemicals in the pool water that can result in serious damage to pool walls and equipment. Such a build-up may also create an improper water balance which may cause deterioration of the vinyl cover. A deterioration so caused is not covered by the warranty.

To avoid chemical build-up, allow the chemicals to circulate before closing the cover after adding any chemicals to your spa. Test the water at the surface with your test kit to ensure that it is safe to cover.

**If it is safe to swim in, it is safe to cover!**

**High Alkalinity & Chlorine:** A high alkalinity or high chlorine level can begin to break down the cover prematurely. Some pH adjusters may create harmful levels of alkalinity (high pH) if they are not allowed to mix with the water before the cover is closed. The same is true with chlorine shocks. Some chlorine shocks require 12-24 hours before returning to swim-safe range.

Cover-Pools Incorporated recommends using a non-chlorine shock because you can close the cover within 30 minutes. Please check with your pool service company for proper usage.

**▲WARNING Never leave an open pool unattended. Instruct anyone you allow to operate your cover about this!**

**Extended Covering:** Before covering the pool for extended periods of time, such as winterizing, make sure the water is balanced. Recheck the water after the chemicals have mixed completely; this may require checking the spa water a day or two later.

When covering the spa for long periods of time, adjust your ozone generators and chemical feeders to an appropriate level for a covered spa. Constant long-term buildup of ozone can damage the fabric.

**Inform Others:** Please make sure your pool service company or anyone in charge of pool maintenance is aware of this information.

Obtain a good test kit and use it frequently.

**Maintain Proper Balance:** Common sanitizers (dry or liquid) vary in their pH value. Depending upon the pH value of the specific type of chlorine used, you may use acid, soda ash, and baking soda to maintain proper pH and alkalinity values.

### Maintain the following swim-safe levels:

<b>*Chlorine</b>	<b>pH</b>	<b>Alkalinity</b>
1—5 ppm	7.2—7.8 ppm	80—120 ppm

\*Sanitizers other than chlorine-based compounds, per manufacturer guidelines.

Please have your pool company fill in the following:

<b>Recommended Chemical Plan</b>
Recommended Alkalinity:
Recommended Sanitizer Level:
Recommended pH:
Sanitizer Type:
Recommended Salt Level:
Shock Frequency:
Other Recommendations:

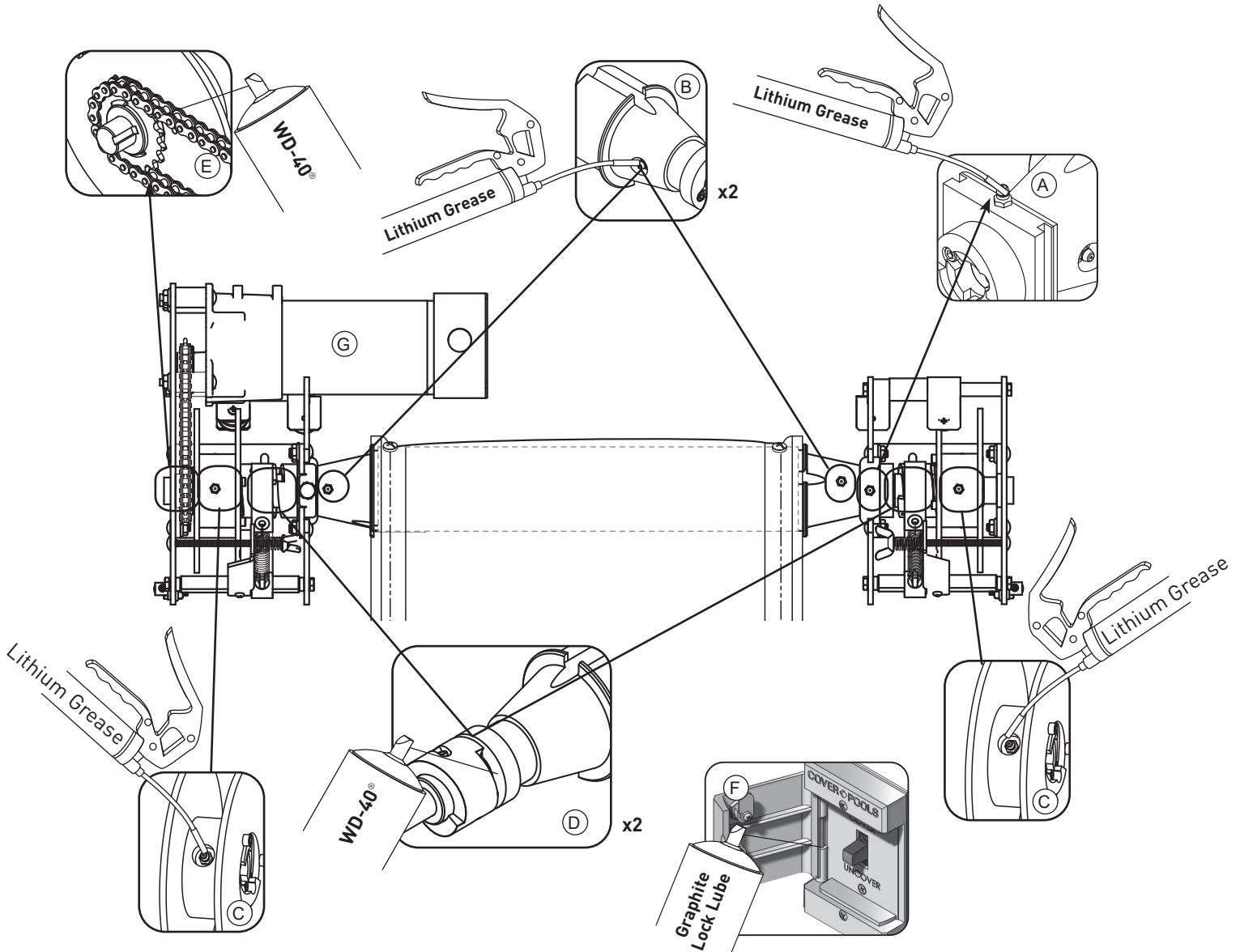
(Always leave the cover open until the water is back to a safe range for swimming.)

## Lubrication

The working life of the mechanism will be enhanced and service problems will be reduced if you follow a regular lubrication schedule. Never over-grease; excessive lubrication will collect dirt and can possibly get on the vinyl cover or webbing. Grease on the vinyl or webbing can cause deterioration. Do not grease or put silicone on the rope, webbing, or tracks; this will cause rapid deterioration of the threads, fabric, and track.

### PARTS LUBRICATION REQUIREMENTS

	Part	Lubrication	Frequency
<b>A</b>	Opposite End Bearing	Waterproof lithium type grease (Lubriplate® #1200-2)	Twice per season
<b>B</b>	Motor and Opposite End Hubs	Waterproof lithium type grease (Lubriplate® #1200-2) -Note: Cover the pool completely.-	Twice per season
<b>C</b>	Both Rope Reels	Waterproof lithium type grease (Lubriplate® #1200-2) -Note: Uncover the pool completely and rotate rope reels.-	Twice per season
<b>D</b>	Both Double Dogs	WD-40®, Motor oil 30w, or similar -Note: You may need to undo the strap around the double dog.-	Twice per season
<b>E</b>	Chain	WD-40®, Motor oil 30w or similar	Twice per season
<b>F</b>	Toggle Switch Door Hinge	Graphite lock lube	Twice per year
<b>G</b>	Motor	does not require lubrication	N/A
<b>IMPORTANT: Clean and dry the parts before applying lubrication (e.g. using high-pressure water and/or compressed air).</b>			



## ADJUSTMENTS AND MINOR REPAIR

If your cover stops running during operation, there is something creating resistance, such as water on the cover, dirt or debris in the tracks, or something damaged on the system. Remove any excess water or debris and try reversing the direction. If the cover moves, then proceed with operating the cover. If the cover will not move further in the intended direction, call your service technician.

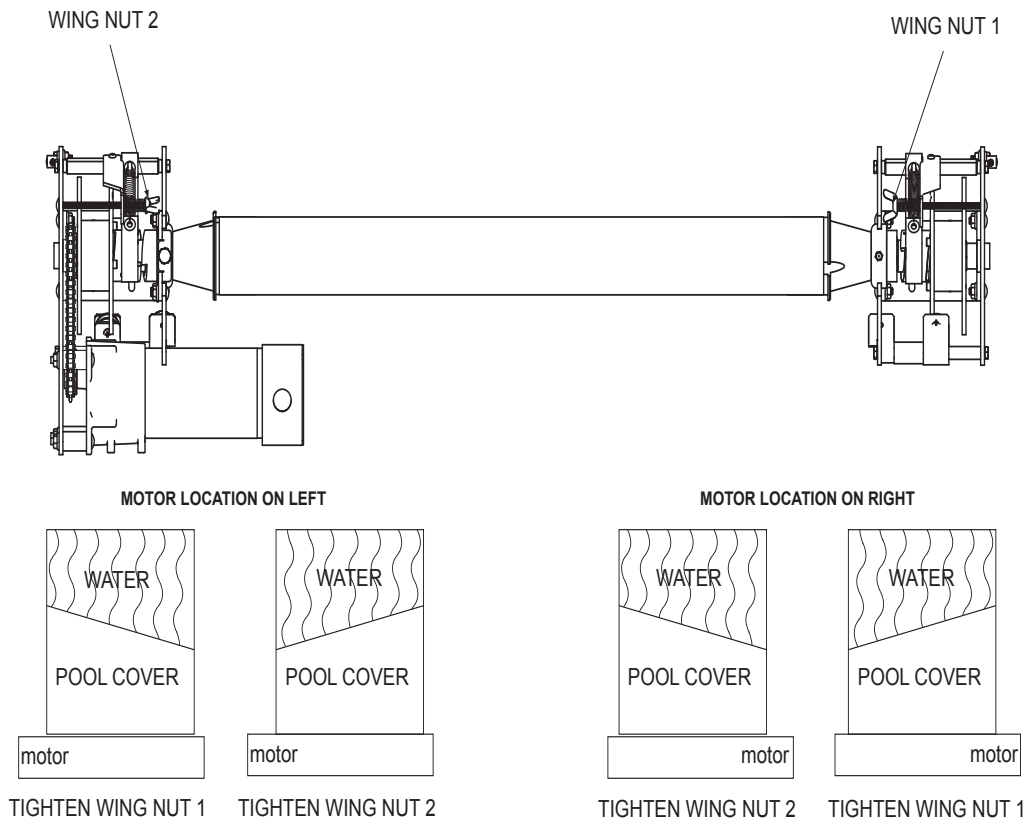
**Service:** Some services, such as adjusting the cover alignment and patching holes, are simple enough that you might want to do it yourself. Other services are much more complex than they first appear; therefore, we recommend that an owner leave repairs to their local authorized service technician. Contact your local service company for advice before you undertake any serious service project on your own; call Cover-Pools at 800-447-2838 to find a local service company.

**▲WARNING** In order to minimize the risk of serious injury, including death, from electrocution or moving mechanical parts, be sure to turn off the power to the cover at the mains circuit breaker. Never adjust the cover or try to perform any other maintenance while the cover is running. Keep hands, clothing, etc., away from the mechanism while operating.

### Uneven Cover Retraction

Once your cover is installed it is unlikely that it will require any adjustment. However, it is possible for extreme changes in the cover condition to cause the cover to run unevenly. Our exclusive brake adjustment is simple enough to adjust yourself, thus avoiding a service call. You should always determine which adjustment to make by observing the evenness of the cover as it is coming off the pool or spa.

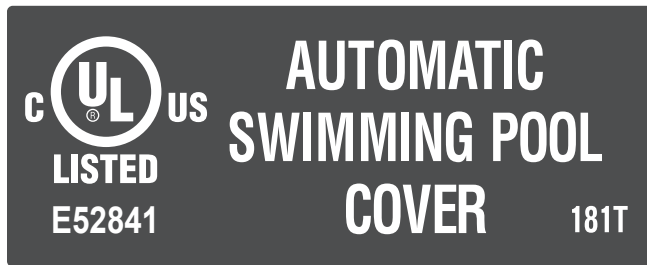
Adjusting the cover is accomplished by tightening or loosening the wing nut on the brake mechanism (see illustration). Make sure the cover is stopped. Adjust the cover by tightening the wing nut (clockwise) on the side that consistently comes back first. Add only a little brake at a time to avoid applying too much tension. When possible, take the brake off the side coming back slowest by loosening the wing nut on that side. Note that a little brake must be left on both sides at all times to prevent the rope from becoming tangled due to backlash.



## FEDERAL AGENCY AND NATIONAL COMPLIANCE LISTINGS

Cover-Pools is committed to producing the highest quality pool and spa covers which comply with applicable safety standards. We are your partners in providing a reliable additional layer of safety for your pool or spa.

UNDERWRITERS LABORATORIES INC. LISTING



ASTM ( American Society for Testing and Materials)

Designation: F 1346-91 (PSC, MSC, OC)

Cover-Pools products Save-T cover, Step-Saver and Auto-Save Spa Covers have been manufactured and are in full compliance with ASTM F 1346-91 Standard Performance Specification for Safety Covers and Labeling Requirements for All Covers for Swimming Pools, Spas and Hot Tubs.

FCC ID: P8G-50306 Save-T Cover Wireless 50305

This device complies with part 15 of the FCC Rules. Operation is subject to the following two conditions:

1. This device may not cause harmful interference, and
2. this device must accept any interference received, including interference that may cause undesired operation.

**CAUTION:** Changes or modifications not expressly approved by the party responsible for compliance could void the user's authority to operate the equipment.

Note: This equipment has been tested and found to comply with the limits for a Class B digital device, pursuant to Part 15 of the FCC Rules. These limits are designed to provide reasonable protection against harmful interference in a residential installation. This equipment generates, uses and can radiate radio frequency energy and, if not installed and used in accordance with the instructions, may cause harmful interference to radio communications. However, there is no guarantee that interference will not occur in a particular installation. If this equipment does cause harmful interference to radio or television reception, which can be determined by turning the equipment off and on, the user is encouraged to try to correct the interference by one or more of the following measures:

- Reorient or relocate the receiving antenna.
- Increase the separation between the equipment and receiver.
- Connect the equipment into an outlet on a circuit different from that to which the receiver is connected.
- Consult the dealer or an experienced radio/TV technician for help.

Note: This equipment has been tested and found to comply with the limits for a Class 1, Class 2, and Class 3 Radio equipment and systems under Title: ETS EN 300 683 : 97 and ETS EN 300 200-1 (RES) (EMC) (SRD) operating on frequencies between 9 kHz and 25 GHz. These limits are designed to provide reasonable protection against harmful interference in a residential installation. This equipment generates, uses and can radiate radio frequency energy and, if not installed and used in accordance with the instructions, may cause harmful interference to radio communications. However, there is no guarantee that interference will not occur in a particular installation. If this equipment does cause harmful interference to radio or television reception, which can be determined by turning the equipment off and on, the user is encouraged to try to correct the interference by one or more of the following measures:

- Reorient or relocate the receiving antenna.
- Increase the separation between the equipment and receiver.
- Connect the equipment into an outlet on a circuit different from that to which the receiver is connected.

If you have any additional questions please contact Cover-Pools at 1-800-447-2838.

CoverPools.com | 1.800.447.2838

©2022 Zodiac Pool Systems LLC. All rights reserved. ZODIAC® is a registered trademark of Zodiac International, S.A.S.U., used under license. All other trademarks are the property of their respective owners. 800119 REL\_0006