

COVER  POOLS®

AUTOMATIC POOL & SPA COVERS



T4 Systems 



COVER-POOLS HAS YOU COVERED

If you already have a pool, or if you're planning to build one, a Cover-Pools automatic pool cover is the best way to safeguard loved ones, save money on heating costs and chemicals and protect your investment.

Find out for yourself what delighted pool owners all over the world have already discovered – our automatic pool covers are the finest, safest, and easiest pool cover you can use or buy.

WITH A POOL COVER, YOU GET PEACE OF MIND

With a Cover-Pools® automatic pool cover you get peace of mind with the simple turn of a key. In under a minute your pool is easily covered or uncovered. Your Cover-Pools cover acts as a “horizontal fence” for your pool, preventing access by children, pets, and uninvited visitors. And while there’s no substitute for proper supervision, your pool can be protected even when you’re not around. It’s a safety barrier that no pool should be without.

Designed for Safety

Cover-Pools covers are tested and listed by Underwriters Laboratories (UL), an independent Nationally Recognized Testing Laboratory (NRTL), as being in conformance with the applicable requirements of performance & safety standards such as ASTM F1346-91*, published by the American Society of Testing and Materials (ASTM).

Follow all safety and warning notices found in the owners manual.

PROTECT YOUR POOL AND YOUR LOVED ONES

*ASTM F13496-1: Standard Performance Specification for Safety Covers and Labeling Requirements for All Covers for Swimming Pools, Spas and Hot Tubs



WARNING:
Do not walk or stand on cover
except in an emergency.





A Cover-Pools cover extends your swimming season by reducing heat loss.

A POOL COVER SAVES UP TO 70%* ON OPERATING COSTS

The U.S. Department of Energy states* that a pool cover is “the single most effective means of reducing pool heating costs.”

Saving you up to 70% on pool operating costs, a pool cover also helps prevent the evaporation of both precious water and expensive chemicals. It even acts as a passive solar heater by capturing the sun’s radiant heat extending your swimming season.

At the same time, a pool cover keeps dirt and debris out of the pool, reducing cleaning, maintenance costs and overall wear on pool equipment. Cover-Pools covers have proven to be one of the best ways of reducing pool expenses all year long.



*<https://www.energy.gov/energysaver/swimming-pool-covers>



SAVINGS AND CONVENIENCE



Saves energy, adds heat.

A Cover-Pools cover dramatically reduces heating costs and extends your swimming season by acting as a giant solar collector.



Saves water and chemicals.

By reducing evaporation, your Cover-Pools cover cuts water loss and reduces the use of chemicals.



Saves cleaning.

Keep dirt, leaves, and debris out by simply keeping your pool covered.



Saves pool equipment, extends pool life.

With a covered pool, you keep the heat in and the dirt and debris out. Heaters and other pool equipment work less and last longer.



Saves money.

By saving heat, chemicals, cleaning, and extending equipment life, your Cover-Pools cover quickly pays for itself. You can save up to 70% on operating costs, which is a great return on your investment.



For indoor pools, a cover provides the added benefit of eliminating the need for expensive dehumidification systems.



Vanishing-edge pool

NO MATTER WHAT COVER-POOLS HAS YOU COVERED

New Construction

At Cover-Pools, we love a good challenge. So go ahead, bring us your freeform pools, your pool/spa combos, L shapes, kidney shapes, and anything else you can dream up. If you can build it, we can cover it.

We believe design should never be an obstacle to the benefits of a strong and dependable pool cover, so no matter what size or shape you dream up, we can protect your investment without covering up the beauty it brings to your backyard.

UNIQUE SHAPES

A CUSTOM POOL DESERVES
A CUSTOM DESIGNED SYSTEM



Deck-on-deck pool



Pool with raised wall



L-shaped pool with two covers and spa

A CUSTOM POOL DESERVES A CUSTOM-DESIGNED SYSTEM



“Cover-Pools has the best system on the market. I have worked on every automatic cover out there and none compare in both quality and customer service.”

Mark Sheinman
Pennco Automatic Pool Covers

“We depend on both the high product quality and business integrity that Cover-Pools is known for. We would not install or recommend any other cover.”

Alan and Coni Stiles
Arizona Pool Covers

CUSTOM APPLICATIONS



Pool with rock features and waterfall



Deck-on-deck pool and spa with rock features and waterfall



Perimeter overflow pool

Since 1962, we've been designing custom covers that accommodate virtually any pool shape or design. As pool design evolves and trends emerge, Cover-Pools develops new and more creative ways to cover any pool. From waterfalls and rockwork to vanishing edges and other water features – no challenge is too great.

Our staff of experts work with architects, engineers, and builders, providing them with knowledgeable input to help cover the pool of your dreams.

LET OUR TRACKS GUIDE YOU



Undermount track system



SnapTop™ track system

UNDERMOUNT TRACK SYSTEMS

Dual-Race Undertrack System

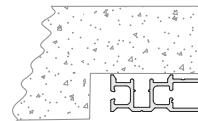
Undertrack is a perfect way to fully integrate the cover into the pool and deck. With an Undertrack installation, the tracks are concealed beneath the deck—it's the ultimate in smooth, worry-free operation.

Dual-Race Undertrack and Track Channel

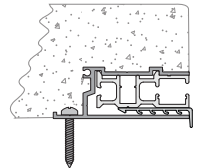
For freeform pools with Undertrack, the channel makes it easy to construct deck-on-deck applications around any vinyl, fiberglass, or concrete pool.

Raised Dual-Race Track Channel

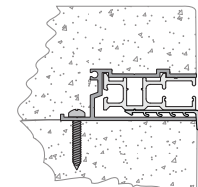
Intended for fiberglass pools, a channel can be placed on the top of the fiberglass pool, then have the deck built on the raised track channel. It is a good choice to be used on freeform shaped fiberglass pools as well.



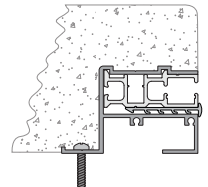
Undertrack design allows a variety of deck profiles.



Undertrack with Dual-Race track channel



Deck-on-deck with Dual-Race track channel



Raised Dual-Race track channel

DECK MOUNT TRACK SYSTEMS

SnapTop™ Track System

SnapTop track is a two-piece track system that conceals the screws from view and creates a smooth, streamlined track surface.



SnapTop track

TRACK, CHANNEL AND COPING



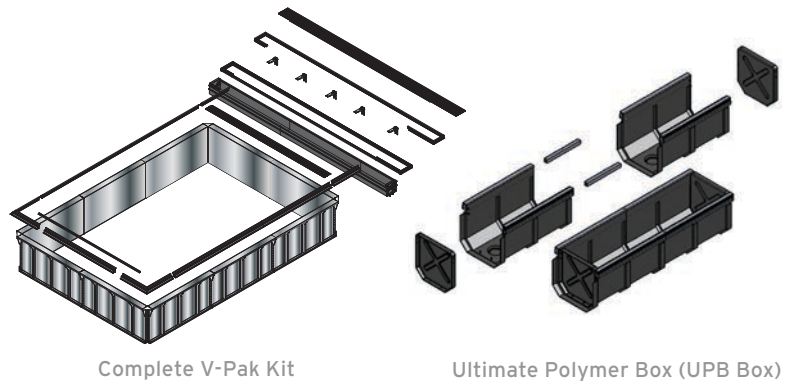
V-Pak Kit on a vinyl liner pool

DUAL-RACE V-PAK™ KIT

Cover Kit for Vinyl Liner Pools

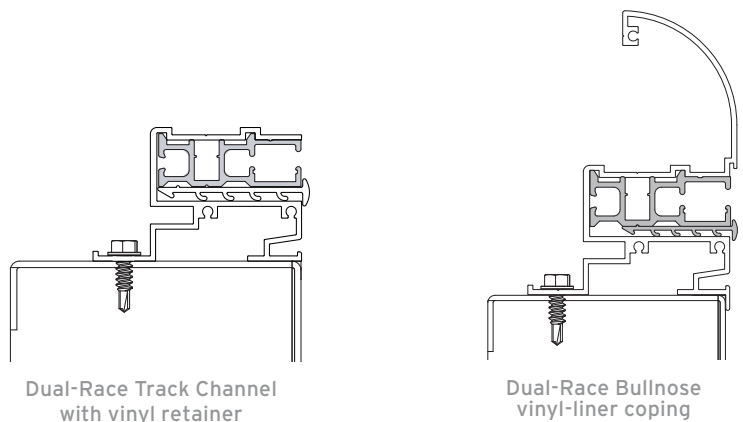
The V-Pak is a complete, easy-to-install cover kit for vinyl liner pools.

- Cover unit and fabric
- Comes standard with Flush Mount lid that aesthetically covers the recessed housing and creates a flat surface or with Vanishing Lid™ brackets available in 12" or 14" to accommodate custom vanishing lids (other lid forms available upon request).
- Channel option: Dual-Race track channel with vinyl retainer or Dual-Race bullnose vinyl-liner coping
- Coping for three sides
- Deluxe ultimate polymer box
- Beam Cover with vinyl retainer provides protection for the cover fabric
- Square, 45-degree, 6" or 24" radius corners
- Four standard pool sizes—
14' x 28', 16' x 32', 18' x 36', 20' x 40'



Complete V-Pak Kit

Ultimate Polymer Box (UPB Box)



Dual-Race Track Channel with vinyl retainer

Dual-Race Bullnose vinyl-liner coping



Undertrack system with square leading edge

LEADING EDGE AND GLIDER

Round Leading Edge

The leading edge is designed to guide your pool cover across the water ensuring smooth operation and a strong, flush seal at the far-end pool wall. Each Cover-Pools pool cover comes standard with a round leading edge.



Round Leading Edge (with optional bumper)

Square Leading Edge*

The optional square leading edge adds rigidity and a modern finish to your pool cover. The square shape reduces deflection making it easier to hide the leading edge and creates a better seal. It may also be wrapped in matching fabric for a more seamless look.

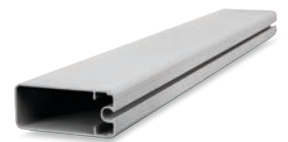


Square Leading Edge (wrapped with optional fabric)

*Only available for pools up to 25' wide and applications using adjustable gliders.

Low Profile Rectangular Leading Edge**

Our smallest leading edge at 1 1/2" x 3 1/2" for a sleek modern finish that holds fabric with a built-in channel (can also be used with a fabric pocket). Our low profile rectangular design resists deflection in both vertical and horizontal directions while providing less deflection than competing leading edges of similar form.



Low Profile Rectangular Edge

**Only available for pools up to 16' wide.

Adjustable Glider and Dowel

The adjustable glider and dowel combination can incrementally adjust the leading edge height 3" above or below the track. The dowel is standard with most undermount track systems.



Glider & Dowel

LEADING EDGE, GLIDER, FABRIC



QUAD-CORE™ FABRIC

Quad-Core™ laminated fabric uses an exclusive formula to create the strongest, most durable material designed specifically to stand up to the harsh elements of a swimming pool environment. Reinforced with a strong polyester mesh for strength and tear resistance, this high-performance vinyl-resin formula provides maximum durability in the swimming pool environment.

Quad-Core vinyl laminated fabric is also available in 35 special order colors to coordinate with any pool. Please see fabric samples when making color choice; Actual colors may vary.

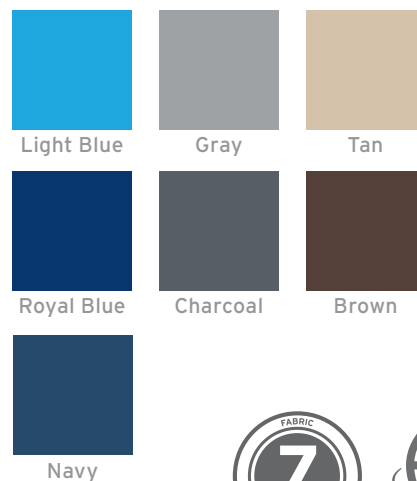
Quad-Core Fabric



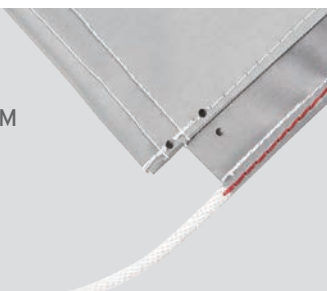
PRO-COAT™ FABRIC

Pro-Coat™ fabric uses an enhanced coated formula that provides long-lasting durability with advanced tensile strength and exceptional resistance to abrasions and tears. Designed to stand up to the harshest elements, it is composed of a UV protectant and an anti-mildew inhibitor to deter premature delamination and deterioration due to chemicals or the sun.

Pro-Coat Fabric



Strength meets or exceeds the ASTM F1346-91 minimum standard of 485 lbs per 3' radius.





LIDS AND BENCHES

Deck-Mounted Mechanism

When mounting a mechanism to the deck an Everlast™ Bench or Everlast Ends provide convenient and durable protection.

You can also create your own bench design with our bench frames and materials supplied locally by your dealer or an independent contractor.

Four Everlast polymer colors are available. Please see polymer samples when making color choice. Actual colors may vary.



Everlast Bench



Everlast Ends



White



Tan



Gray



Terra Cotta

Recessed Mechanism

The mechanism can be discretely housed in a box below the deck surface. This option works best if chosen before construction. However, if there is room to cut into the deck of an existing pool, the mechanism can still be recessed. Cover-Pools offers many lid options for covering the mechanism.



Typical position of leading edge when cover is fully retracted.



Extended Vanishing Lid™ allows the leading edge of the retracted cover to be hidden.

Easy Roller™ System

The Easy Roller System reduces cover friction between the cover and the beam edge, providing smoother cover operation and less wear on the fabric, while maintaining cover performance.

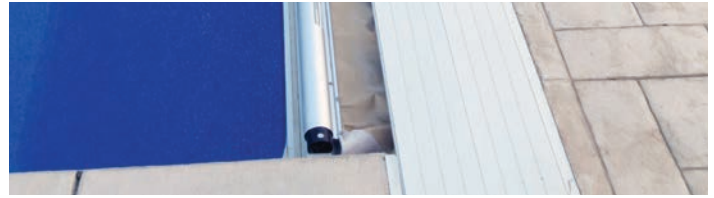


LIDS AND BENCHES



Standard Lid

Our Standard Lid for Underside™ track systems offers an economical way to conceal and protect the mechanism. Not intended to be walked on.



Flush-Mount Lid

Our Flush Mount Lid is a walk-on lid that completely covers a recessed pool cover mechanism while remaining even with the surface of the deck.



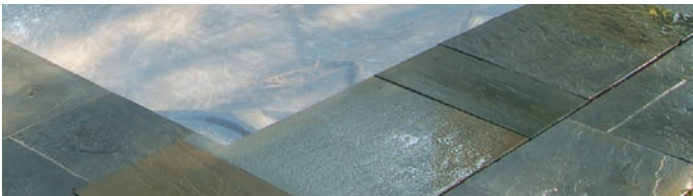
Flat Bezel™ Lid

Designed for Undermount Track Systems, the Flat Bezel Lid provides step-on strength with a more streamlined appearance and beveled edges.



Tilted Bezel Lid

The Tilted Bezel Lid (shown) for SnapTop™ Track Systems provides step-on strength with a narrow tilt or low-profile rise to accommodate the track. It also has beveled edges.



Vanishing Lid™ System

The Vanishing Lid System provides the most integrated look for concealing the mechanism. Your coordinating deck material hides the mechanism housing and blends into the rest of the deck.



Extended Vanishing Lid

The Extended Vanishing Lid system allows the cover to retract completely under the lid. This requires the lid system to be 18" to 24" wide.



Vanishing Lid™ Foam Forming System

The NEW Vanishing Lid™ (V-Lid) Foam Forming System provides an easy, cost-effective, disposable alternative to poured concrete lids to cover an automatic pool cover mechanism.

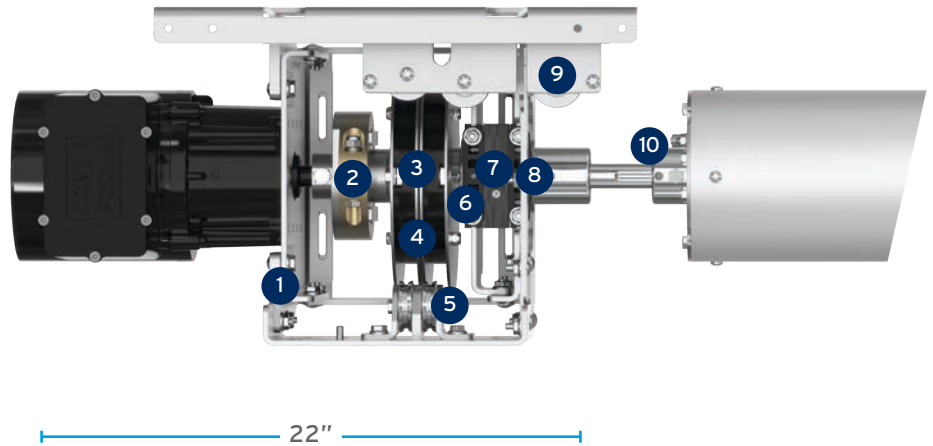


THE FIRST AND ONLY AUTOMATIC POOL COVER SYSTEM DESIGNED FOR STAINLESS STEEL CABLE.

Stronger, and smaller than any competitor's mechanism, the T4™ System is the only automatic pool cover system designed for stainless steel cable – which is more durable and doesn't stretch or shrink like traditional rope.

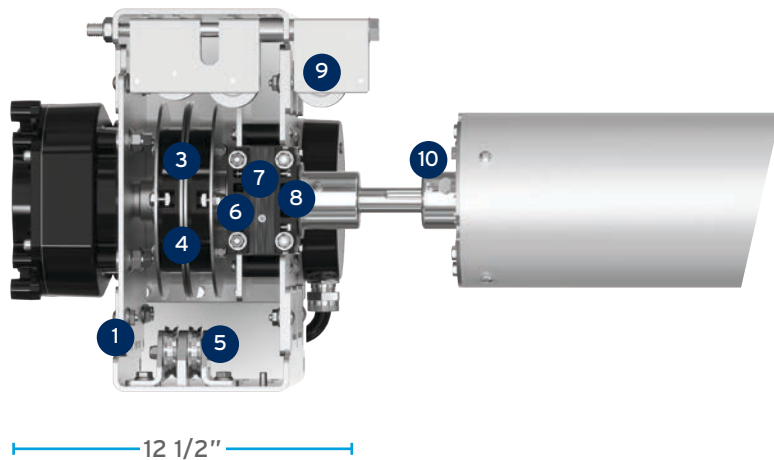
Original Full-Size T4 System

- Fits 24" motor side box length
- Compatible on pools up to 80' long
- Custom 3/4 HP condensed motor with potted capacitor
- Includes separate mounting cradle
- Hydraulic option available
- Available with slip clutch or auto-shutoff*



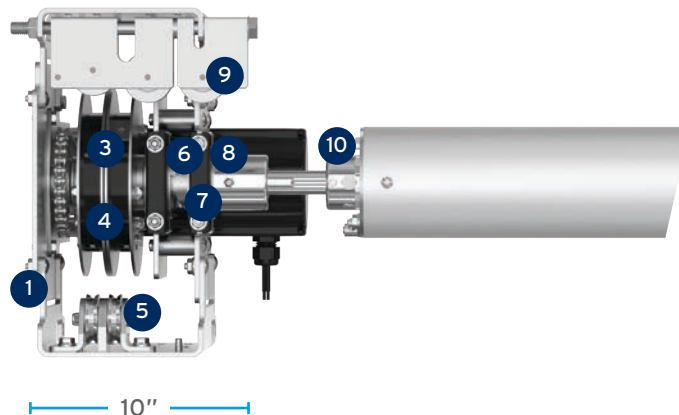
T4 Versa™

- Fits 14" motor side box length
- Compatible on pools up to 40' long
- Offset 3/4 HP motor with custom gearset
- Fits vaults 12"-14" wide and 18" minimum depth



T4 Spa

- Fits 11" motor side box length
- Compatible on spas up to 13" wide and 20" long (200 sq. ft. max)
- Offset 1/6 HP motor with sprocket and chain drive
- Fits vaults 9"-14" wide and 13" minimum depth



MOTOR, MECHANISM, CONTROLS, SWITCH

T4 Family Features

- 1 Thick Hard-Coated Anodizing on Marine-Grade Aluminum Brackets
- 2 Industrial Grade Slip Clutch
- 3 Adjustable Reel Diameter
- 4 Auto-Tension Corr-Resist™ Cable Reels with Quick-Cable Attachment
- 5 Vertical Pulleys (poolside)
- 6 Reel Brake
- 7 Positive/Sure-Shift Drive
- 8 Drum Brake
- 9 Large 1 1/2" Pulleys
- 10 Adjustable Corr-Resist End Hub

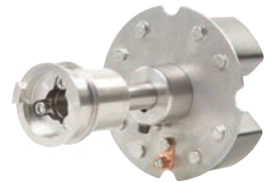
Superior Durability

- Uses aircraft-grade stainless steel cable
- No stretching or shrinking like traditional rope
- No more service calls due to misaligned covers



Easy Installation

- What was once a two-person job is now only a one-person job
- Adjust the leading edge with the turn of a screw while uncovering the pool



Maximum Adjustability

- Auto-Tension torsion springs keep tension on cables ensuring smooth cable pickup
- Adjustable reel diameter makes for easy leading edge alignment for a flush cover seal every time



Auto-Shutoff with Amp Limiter*

- Shuts motor off when cover is fully opened or closed acting like an electronic slip clutch
- LED diagnostic indicators
- Enables accessory board and AquaLink® automation integration (see pg. 19)

*Only available with electric system. Slip Clutch not required with this option.



Toggle Switch

Turn the toggle switch to cover or uncover your pool. To maintain a secure system, simply lock the toggle switch cover after you've covered the pool.



Key Pad

The code-accessed digital control system allows you to program up to four codes to create convenient and secure access to the system.





STAINLESS STEEL INNOVATION

At Cover-Pools, we pride ourselves on being the only automatic pool cover manufacturer offering high strength stainless steel cable as an alternative option to traditional rope. Using stainless steel cable means superior durability, less pool cover adjustments and easier fabric replacements. Backed by a seven-year limited warranty, this steel cable is built to last. That means never fixing misaligned pool cover ropes again. Less adjustments saves you time and money.

Superior Durability*

This high-strength stainless steel cable offers superior durability in a pool environment.

Minimize Stretching*

Stainless steel cable eliminates stretching associated with the frequent opening and closing of automatic covers.

Minimize Adjustments*

By minimizing stretching and shrinkage, stainless steel cables virtually eliminate the need for realignment. No more service calls for rope adjustments.

Long Lasting

The new automatic pool covers with stainless steel cables will keep your pool cover running without the hassle of stretching or shrinking and provide ultimate durability that lasts.

*When installed by a trained Cover-Pools dealer and maintained in accordance with instructions and owner's manual



The Intelligent Pool Cover

With Jandy® AquaLink® integration, your Cover-Pools® pool cover can control other pool features based on the position of the cover. When the cover is closed, AquaLink will deactivate any water features, limit chlorine output, and reduce pump runtime saving up to 50% on energy and chemicals.

By including a Cover-Pools Interface Board with the purchase of a Jandy AquaLink control system, you gain the following functionality:

- One Touch™ controller shows whether the pool cover is open, closed, or partially open
- iAquaLink® app* shows whether the pool cover is open, closed, or partially open
- Salt chlorine production levels automatically adjust when the cover is opened or closed
- Water features, booster pump cleaners and pool lights will automatically shut off when the cover is closed
- Pump runtime automatically decreases when the cover is closed

This increased functionality will automatically:

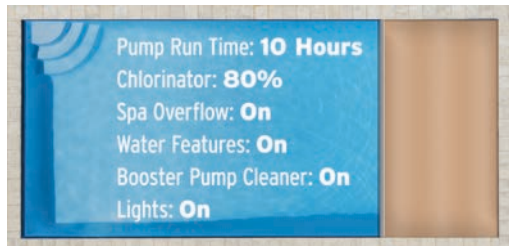
- Save energy and operating costs
- Lengthen the life of the salt cell
- Avoid over chlorination of the pool
- Save water, protect the cover, and give pool owners extra peace of mind

*For safety, the app cannot operate the cover as the control must be mounted in view of the pool.

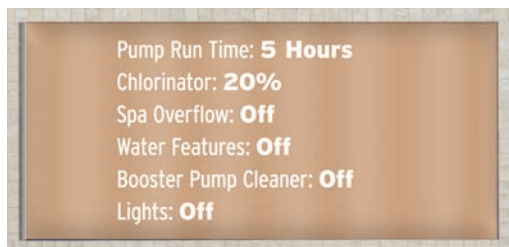
AquaLink®

Auto-Shutoff Control with Optional Accessory Board

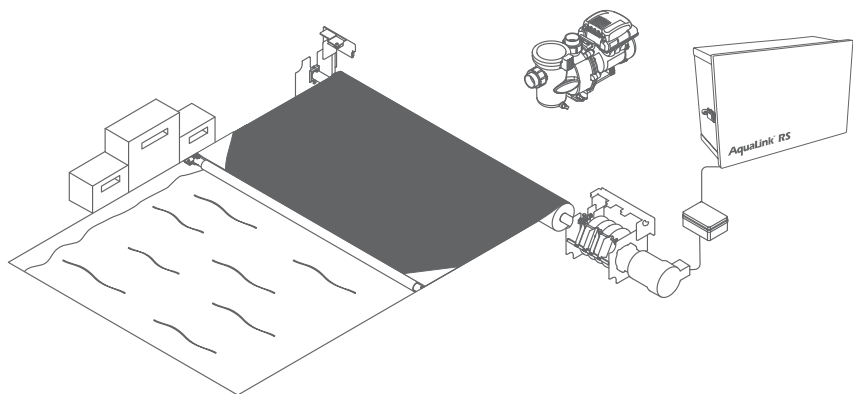
The auto-shutoff control stops the cover automatically when it is fully opened or closed. The accessory board controls operation of water features, fiber optics, alarms, etc., in conjunction with opening and closing the cover.



Pool Cover Open



Pool Cover Closed



Automatic Water Pump

Cover-Pools systems use an automatic pump (as required by ASTM safety standards) to conveniently remove standing water that may accumulate on top of the cover as a result of rain, sprinklers or cleaning. The pump automatically turns itself on when water is present and shuts off once the water has been removed.

DESIGNED TO PERFORM IN ALL POOLS – SALTWATER POOLS INCLUDED

Corr-Resist™

The swimming pool environment can be harsh on a pool's components. Salt, chlorine and other chemical usage often causes galvanic corrosion of metal parts. Our exclusive Corr-Resist technology shields against this by breaking the corrosive path and avoiding dissimilar metal contact as well as using marine-grade materials that are uniquely able to defend against the corrosive effects of water.

Mechanism Brackets

- All stainless steel drive components
- Marine-grade anodized aluminum components

Corr-Resist End Hub

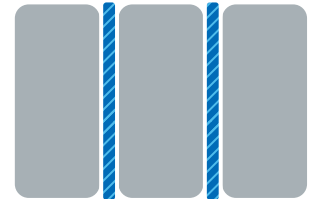
- End hub with stainless steel and durable polymer parts prevent corrosion
- High-density polymer tube mounts break the corrosive path between dissimilar metals

Marine-Grade Anodized Aluminum Tube

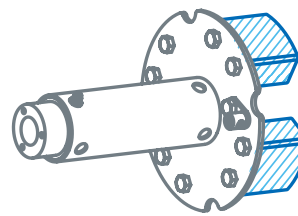
- Anodized tube creates an armored shield against corrosion
- Coated tube end upgrade – additional polyurethane coating that encases the tube ends with a protective shield



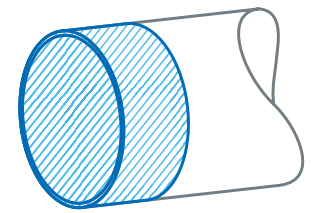
Galvanic corrosion occurs when different metals touch



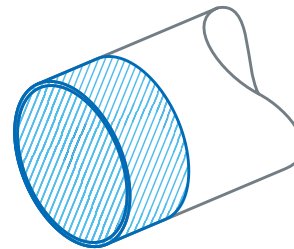
Corr-Resist technology shields metals from corrosion



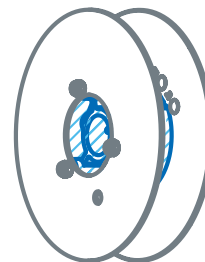
Stainless Steel Part Resists corrosive environment



High-Density Polymer Tube Mounts Isolates the end hub from the tube breaking the corrosive path



Polyurethane Tube End Coating Upgrade Encases the tube end with an additional protective shield



Stainless Steel Reel Plates with Noryl Resin GFN2 Copolymer Center Hub Isolates and breaks the corrosive path



With Cover-Pools® automatic pool covers, you get the assurance of over 55 years experience. We invented the automatic pool cover and we know that our covers will stand up to time and the elements. That's why our warranties are unparalleled.

- **Lifetime Limited Warranty:** Slip clutch, mechanism
- **7-Year Limited Warranty:** Fabric*, lid assembly, tracks, leading edge, and roller tube
- **3-Year Limited Warranty:** Motor, electrical, components, and cover pump
- **The only standard limited warranty covering saltwater pools**

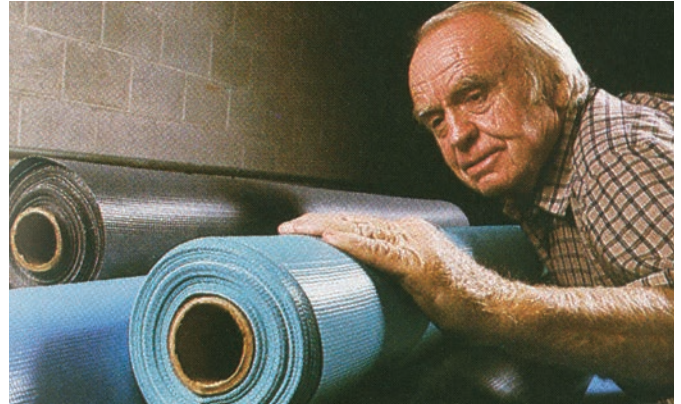
*7-year fabric warranty as follows: First two years is full limited warranty, years 3-7 are prorated



SIX REASONS WHY WE ARE THE WORLD'S FINEST POOL COVER COMPANY

The most experienced automatic pool cover company in the world

When our founder, Joe Lamb, invented and patented the automatic pool cover, he also launched a new industry. Since 1962, Cover-Pools has created over 125,000 safer and more energy-efficient pools around the world.



The most options for customization

Every pool is special. That's why we make your cover system to your custom specifications. Cover-Pools offers a wealth of options to blend your cover system into your outdoor living area. This means that you choose the right combination of safety, convenience, value, and beauty.



The most experienced and extensive network of dealers

With knowledgeable dealers in all 50 states and over 50 countries, Cover-Pools covers the world. Our dealers undergo extensive training so you can rest assured your Cover-Pools cover is installed securely.



All illustrations and specifications contained in this brochure are based on the latest product information available at the time of printing. Cover-Pools reserves the right to make changes at any time without notice, in colors, materials, equipment, specifications, and models. Cover-Pools systems and parts are available through independent dealers/distributors worldwide. No dealer/distributor is an employee, agent, or representative of Cover-Pools Incorporated.

The most time-proven warranties in the industry

At Cover-Pools, we believe that the best warranties are backed by the most reliable companies. We have over 55 years of experience to support our warranties. You can stand on our reputation.



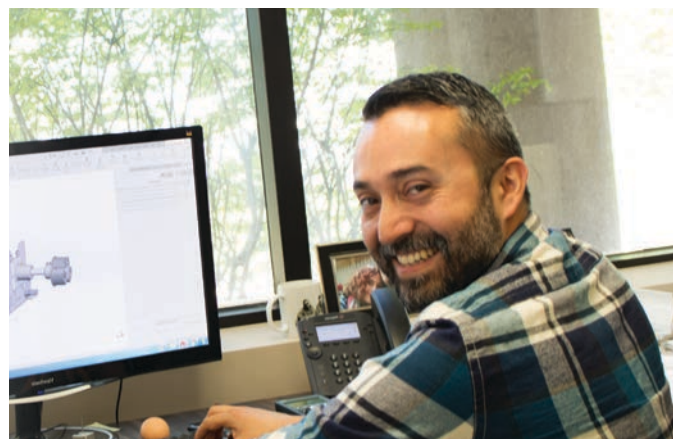
The most responsive customer-service team in the industry

Our customers constantly tell us that it's the people of Cover-Pools that make their experience so wonderful. When you call Cover-Pools, you reach a live person to provide you with knowledgeable solutions. Every employee at Cover-Pools contributes to customer service – from the production staff to the president – you know you're in capable hands.



The most innovative engineering team

To our design team, it's the little things that make Cover-Pools systems so reliable. Always on the leading edge of innovation, our engineers use the latest technology to ensure you receive The World's Finest Pool Cover.



A Fluidra Brand | CoverPools.com | 1.800.447.2838

©2026 Fluidra. All rights reserved. The trademarks and trade names used herein are the property of their respective owners. 38048_SL

